


+ GEF

2-WAY HIGH PRESSURE BALL VALVES




CARBON STEEL

- Type: ball valve GEF 2 way 
- Body: block
- Material: 1,0737
- Ball seats: from DN13 up to DN25
- O-Rings: NBR, FKM, EPDM, MVQ
- Operating pressure: S3000 (PN210) S6000 (PN420) depending on valve size and seal materials selected
- Temp range: -20°C to +100°C depending on seal material selected

GE	F3	DN13	1	1	1	1	A	B
Type and way of valve GE 2-way	Valves dimension of pressure (psi) F3 F6	Nominal dimension DN13 DN20 DN25	Body material 1 1,0737	Adapter material 1 1,0737	Stem material 1 1,0737	Ball material 1 1,0737	Ball seat material A POM D PEEK G PA612 K GEMPTFE C PTFE	Adapter and stem seal material B NBR E FKM F EPDM L MVQ

STAINLESS STEEL

- Type: ball valve GEF 2 way 
- Body: block
- Material: 1,4404
- Ball seats: from DN13 up to DN25
- O-Rings: NBR, FKM, EPDM, MVQ
- Operating pressure: S3000 (PN210) S6000 (PN420) depending on valve size and seal materials selected
- Temp range: -30°C to +100°C different temperatures on request

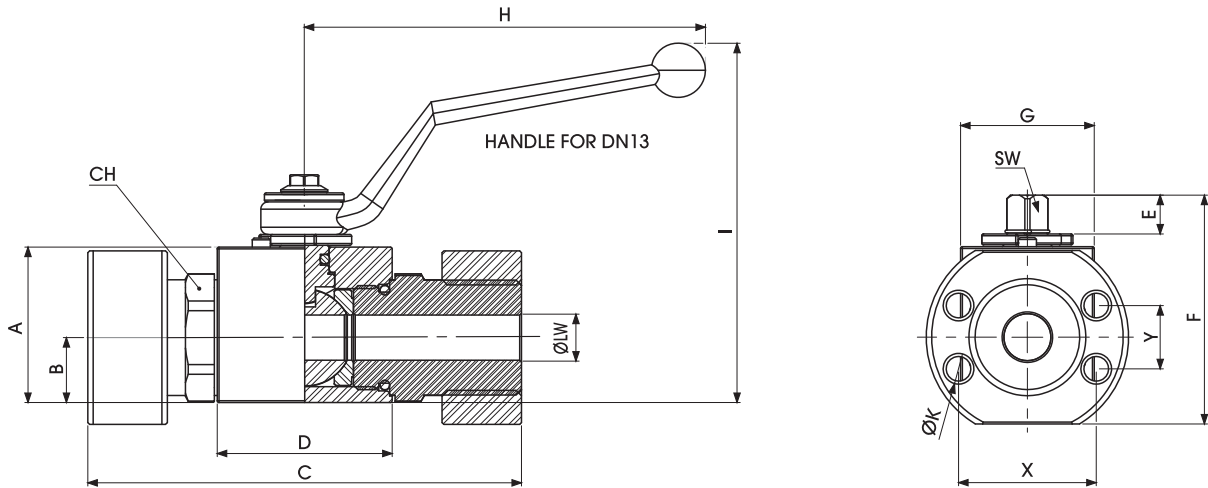
GE	F3	DN13	4	4	4	4	A	B
Type and way of valve GE 2-way	Valves dimension of pressure (psi) F3 F6	Nominal dimension DN13 DN20 DN25	Body material 4 1,4404	Adapter material 4 1,4404	Stem material 4 1,4404	Ball material 4 1,4404	Ball seat material A POM D PEEK G PA612 K GEMPTFE C PTFE	Adapter and stem seal material B NBR E FKM F EPDM L MVQ





2-WAY HIGH PRESSURE BALL VALVES

Specialist in Ball Valves



GEF SAE J518 S3000

Standard

CARBON STEEL STAINLESS STEEL

TYPE	PN	DN	A	B	C	D	E	F	G	H	I	CH	X	Y	ØK	SW	ØLW	KG	ITEM CODE	ITEM CODE
GEF3	5000 Psi	13	43	18	120	48,4	11	57	37	110	99,5	32	38,1	17,5	M8	9	13	1,504	GE2FFC0L011A000	GE2FFC0L044A000
GEF3	5000 Psi	20	55	23,4	136	62,5	14	73,5	45	180	106,5	41	47,6	22,2	M10	14	20	2,608	GE2FFC1L011A000	GE2FFC1L044A000
GEF3	5000 Psi	25	65	29,5	148	66,5	14	83,5	55	180	116,5	50	52,4	26,2	M10	14	25	3,891	GE2FFC2L011A000	GE2FFC2L044A000

GEF SAE J518 S3000 UNC

Standard

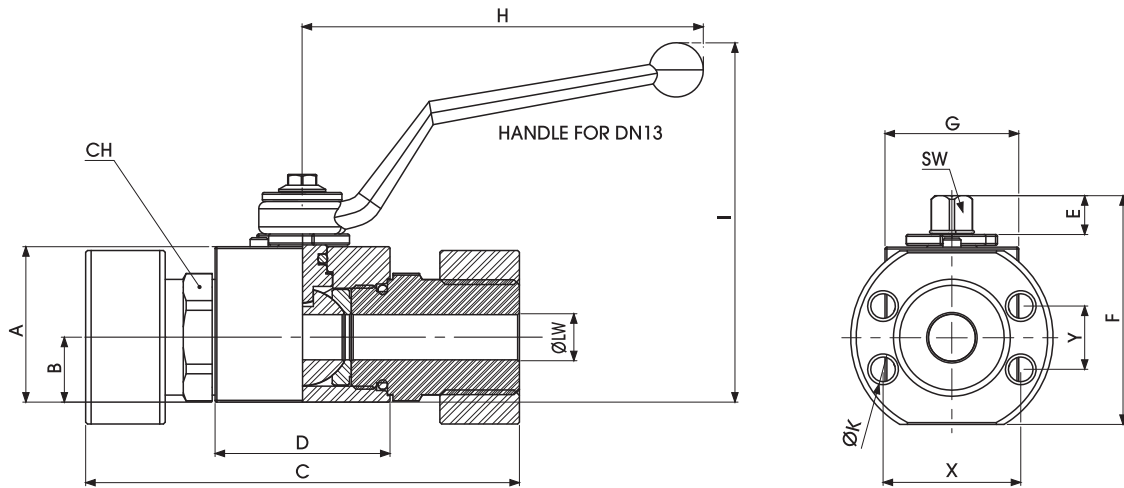
CARBON STEEL STAINLESS STEEL

TYPE	PN	DN	A	B	C	D	E	F	G	H	I	CH	X	Y	ØK	SW	ØLW	KG	ITEM CODE	ITEM CODE
GEF3	5000 Psi	13	43	18	120	48,4	11	57	37	110	99,5	32	38,1	17,5	$5/16-18$ UNC	9	13	1,504	GE2FUC0L011A000	GE2FUC0L044A000
GEF3	5000 Psi	20	55	23,4	136	62,5	14	73,5	45	180	106,5	41	47,6	22,2	$3/8-16$ UNC	14	20	2,608	GE2FUC1L011A000	GE2FUC1L044A000
GEF3	5000 Psi	25	65	29,5	148	66,5	14	83,5	55	180	116,5	50	52,4	26,2	$3/8-16$ UNC	14	25	3,891	GE2FUC2L011A000	GE2FUC2L044A000

+ GEF

2-WAY HIGH PRESSURE BALL VALVES

www.gemels.it



GEF SAE J518 S6000

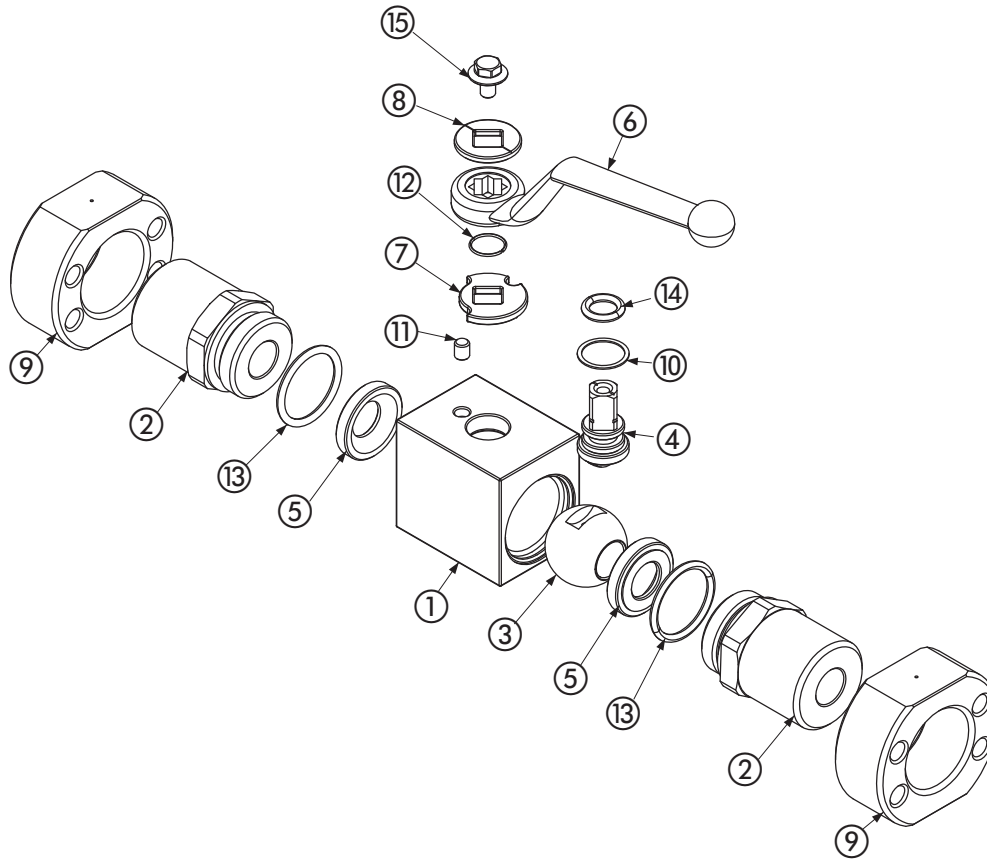
Standard

TYPE	PN	DN	A	B	C	D	E	F	G	H	I	CH	X	Y	ØK	SW	ØLW	KG	CARBON STEEL	STAINLESS STEEL
																			ITEM CODE	ITEM CODE
GEF6	6000 Psi	13	43	18	120	48,4	11	57	37	110	99,5	32	40,5	18,2	M8	9	13	1,504	GE2FFC6G011A000	GE2FFC6G044A000
GEF6	5800 Psi	20	55	23,4	136	62,5	14	73,5	45	180	106,5	41	50,8	23,8	M10	14	20	2,608	GE2FFC74011A000	GE2FFC74044A000
GEF6	5000 Psi	25	65	29,5	148	66,5	14	83,5	55	180	116,5	50	57,2	27,8	M12	14	25	3,891	GE2FFC83011A000	GE2FFC83044A000

GEF SAE J518 S6000 UNC

Standard

TYPE	PN	DN	A	B	C	D	E	F	G	H	I	CH	X	Y	ØK	SW	ØLW	KG	CARBON STEEL	STAINLESS STEEL
																			ITEM CODE	ITEM CODE
GEF6	6000 Psi	13	43	18	120	48,4	11	57	37	110	99,5	32	40,5	18,2	$5/16-18$ UNC	9	13	1,504	GE2FUC6G011A000	GE2FUC6G044A000
GEF6	5800 Psi	20	55	23,4	136	62,5	14	73,5	45	180	106,5	41	50,8	23,8	$3/8-16$ UNC	14	20	2,608	GE2FUC74011A000	GE2FUC74044A000
GEF6	5000 Psi	25	65	29,5	148	66,5	14	83,5	55	180	116,5	50	57,2	27,8	$7/16-14$ UNC	14	25	3,891	GE2FUC83011A000	GE2FUC83044A000



Carbon steel

Pos	Description	Material	Q.tà
1	Body	1,0737	1
2	Adapter	1,0737	2
3	Ball	1,0737	1
4	Stem	1,0737	1
5	Ball seat	POM	2
6	Handle	ZINC	1
7	Washer	1,0116	1
8	Washer	1,0116	1
9	Flange	1,0737	2
10	Stem ring	POM	1
11	Spine	1,0737	1
12	Seeger	1,4301	1
13	Adapter o-ring	NBR	2
14	Stem o-ring	NBR	1
15	Screw	Din 6921 8.8	1

On request

- Reduced bore
- O-Ring in FKM, EPDM, HNBR, KALREZ
- Seals in PTFE, PEEK, PA612, GEMPTFE, METAL TO METAL
- Special threads
- Stem in stainless steel 1,4404
- Ball in stainless steel 1,4404
- Pressure class up to PN6000 Psi
- Pneumatic and electrical actuator
- Locking device

Stainless steel

Pos	Description	Material	Q.tà
1	Body	1,4404	1
2	Adapter	1,4404	2
3	Ball	1,4404	1
4	Stem	1,4404	1
5	Ball seat	POM	2
6	Handle	ZINC	1
7	Washer	1,4301	1
8	Washer	1,4301	1
9	Flange	1,4404	2
10	Stem ring	POM	1
11	Spine	1,4301	1
12	Seeger	1,4301	1
13	Adapter o-ring	NBR	2
14	Stem o-ring	NBR	1
15	Screw	Din 6921 A2	1

On request

- Reduced bore
- O-Ring in FKM, EPDM, HNBR, KALREZ
- Seals in PTFE, PEEK, PA612, GEMPTFE, METAL TO METAL
- Special threads
- Pressure class up to PN6000 Psi
- Pneumatic and electrical actuator
- Locking device

For further special requests please consult our technical/commercial service