


+ GM1

2-WAY HIGH PRESSURE BALL VALVES




CARBON STEEL

- Type: ball valve GM1 2way 
- Body: round
- Material: 1,0570/1,4404
- Ball seats: from DN6 up to DN25
- O-Rings: NBR, FKM, EPDM, MVQ
- Operating pressure: 50 Bar to 500 Bar S800 to S6000 PN depending on valve size and seal materials selected
- Fire safe BS 6755
- Antistatic device
- Temp range: -46°C to +250°C depending on seal material selected

| GM1 | G 1/2 | DN13 | LF2 | 316L | POM | B |
|------------------------------------|--|--|--|---|---------------------------------------|--|
| Type and way of valve GM1 2-way | GAS DIN/ISO 228 BSP G 1/4 G 3/8 G 1/2 G 3/4 G 1 | NPT ANSI/ASME B1.20.1 N 1/4 N 3/8 N 1/2 N 3/4 N 1 | Nominal dimension DN6 DN10 DN13 DN20 DN25 | Body and adapter material LF2 1,0570 | Stem and ball material 316L 1,4404 | Ball seat material A POM D PEEK C PTFE Adapter and stem seal material B NBR E FKM F EPDM L MVQ |

STAINLESS STEEL

- Type: ball valve GM1 2way 
- Body: round
- Material: 1,4404
- Ball seats: from DN6 up to DN25
- O-Rings: NBR, FKM, EPDM, MVQ
- Operating pressure: 50 Bar to 500 Bar S800 to S6000 PN depending on valve size and seal materials selected
- Fire safe BS 6755
- Antistatic device
- Temp range: -30°C to +100°C different temperatures on request

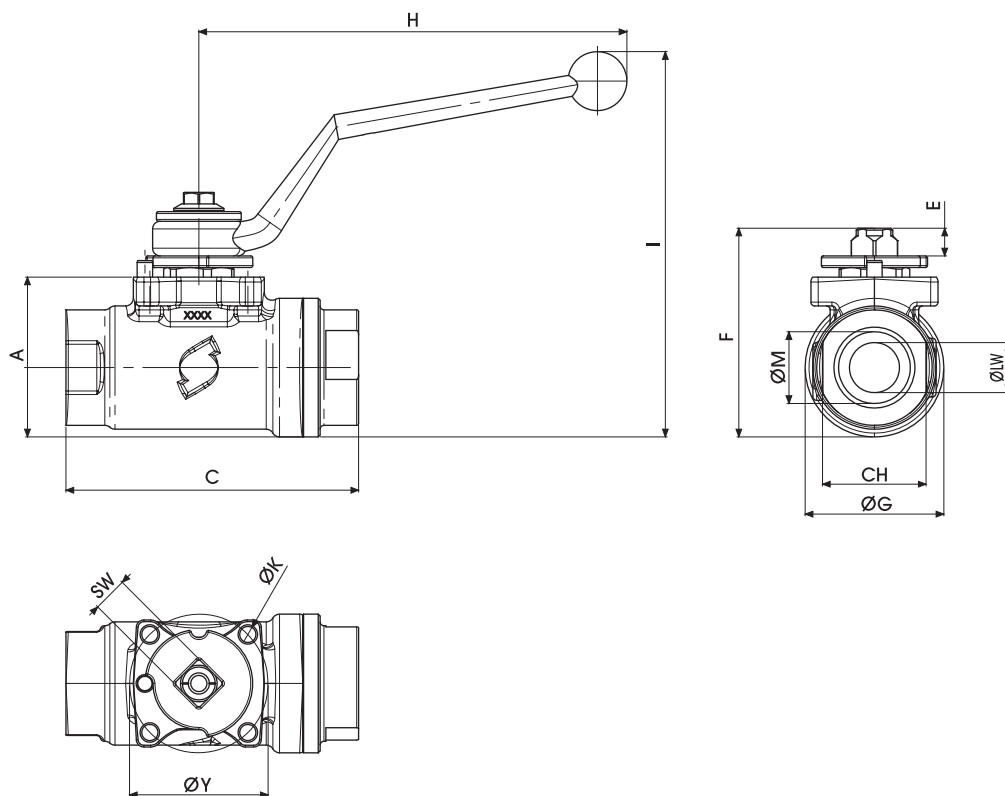
| GM1 | G 1/2 | DN13 | 316L | 316L | POM | B |
|------------------------------------|--|--|--|--|---------------------------------------|--|
| Type and way of valve GM1 2-way | GAS DIN/ISO 228 BSP G 1/4 G 3/8 G 1/2 G 3/4 G 1 | NPT ANSI/ASME B1.20.1 N 1/4 N 3/8 N 1/2 N 3/4 N 1 | Nominal dimension DN6 DN10 DN13 DN20 DN25 | Body and adapter material 316L 1,4404 | Stem and ball material 316L 1,4404 | Ball seat material A POM D PEEK C PTFE Adapter and stem seal material B NBR E FKM F EPDM L MVQ |

GM1



+ GM1 2-WAY HIGH PRESSURE BALL VALVES

Specialist in Ball Valves



GM1 DIN/ISO 228 BSP

Standard

| TYPE | DN | A | C | E | F | ØG | H | I | L | ØK | ØY | ØM | CH | SW | ØLW | KG |
|-----------|----|------|-----|----|----|----|-------|-----|------|----|----|-------|----|----|-----|------|
| GM1 G 1/4 | 6 | 37,5 | 72 | 8 | 53 | 31 | 102,5 | 94 | 15,5 | M5 | 36 | G 1/4 | 22 | 9 | 6 | 0,41 |
| GM1 G 3/8 | 10 | 37,5 | 72 | 8 | 53 | 31 | 102,5 | 94 | 15,5 | M5 | 36 | G 3/8 | 22 | 9 | 10 | 0,40 |
| GM1 G 1/2 | 13 | 42 | 81 | 8 | 57 | 36 | 102,5 | 100 | 17 | M5 | 36 | G 1/2 | 27 | 9 | 13 | 0,50 |
| GM1 G 3/4 | 20 | 60 | 98 | 14 | 83 | 49 | 180 | 115 | 21 | M6 | 50 | G 3/4 | 35 | 14 | 20 | 1,45 |
| GM1 G 1 | 25 | 68 | 106 | 14 | 91 | 59 | 180 | 123 | 24 | M6 | 50 | G 1 | 42 | 14 | 25 | 1,98 |

+ GM1

2-WAY HIGH PRESSURE BALL VALVES

www.gemels.it

(POM seal)

GM1 DIN/ISO 228 PN

| DN | PN | GM1 | |
|----|-----|-----------------|-----------------|
| | | CARBON STEEL | STAINLESS STEEL |
| DN | PN | ITEM CODE | ITEM CODE |
| 6 | 500 | GM1GGT15024A000 | GM1GGT15044A000 |
| 10 | 500 | GM1GGT25024A000 | GM1GGT25044A000 |
| 13 | 500 | GM1GGT35024A000 | GM1GGT35044A000 |
| 20 | 400 | GM1GGT44024A000 | GM1GGT44044A000 |
| 25 | 350 | GM1GGT53024A000 | GM1GGT53044A000 |

(POM seal)

GM1 DIN/ISO 228 S3000

| DN | PN | GM1 | |
|----|-------|-----------------|-----------------|
| | | CARBON STEEL | STAINLESS STEEL |
| DN | PN | ITEM CODE | ITEM CODE |
| 6 | S3000 | GM1GGT1F024A000 | GM1GGT1F044A000 |
| 10 | S3000 | GM1GGT2F024A000 | GM1GGT2F044A000 |
| 13 | S3000 | GM1GGT3F024A000 | GM1GGT3F044A000 |
| 20 | S3000 | GM1GGT4F024A000 | GM1GGT4F044A000 |
| 25 | S3000 | GM1GGT5F024A000 | GM1GGT5F044A000 |

(POM seal)

GM1 DIN/ISO 228 S6000

| DN | PN | GM1 | |
|----|-------|-----------------|-----------------|
| | | CARBON STEEL | STAINLESS STEEL |
| DN | PN | ITEM CODE | ITEM CODE |
| 6 | S6000 | GM1GGT1G024A000 | GM1GGT1G044A000 |
| 10 | S6000 | GM1GGT2G024A000 | GM1GGT2G044A000 |
| 13 | S6000 | GM1GGT3G024A000 | GM1GGT3G044A000 |
| 20 | S6000 | GM1GGT4G024A000 | GM1GGT4G044A000 |
| 25 | S6000 | GM1GGT5G024A000 | GM1GGT5G044A000 |

(PEEK seal)

GM1 DIN/ISO 228 PN

| DN | PN | GM1 | |
|----|-----|-----------------|-----------------|
| | | CARBON STEEL | STAINLESS STEEL |
| DN | PN | ITEM CODE | ITEM CODE |
| 6 | 500 | GM1GGT15024P000 | GM1GGT15044P000 |
| 10 | 500 | GM1GGT25024P000 | GM1GGT25044P000 |
| 13 | 500 | GM1GGT35024P000 | GM1GGT35044P000 |
| 20 | 400 | GM1GGT44024P000 | GM1GGT44044P000 |
| 25 | 350 | GM1GGT53024P000 | GM1GGT53044P000 |

(PEEK seal)

GM1 DIN/ISO 228 S3000

| DN | PN | GM1 | |
|----|-------|-----------------|-----------------|
| | | CARBON STEEL | STAINLESS STEEL |
| DN | PN | ITEM CODE | ITEM CODE |
| 6 | S3000 | GM1GGT1F024P000 | GM1GGT1F044P000 |
| 10 | S3000 | GM1GGT2F024P000 | GM1GGT2F044P000 |
| 13 | S3000 | GM1GGT3F024P000 | GM1GGT3F044P000 |
| 20 | S3000 | GM1GGT4F024P000 | GM1GGT4F044P000 |
| 25 | S3000 | GM1GGT5F024P000 | GM1GGT5F044P000 |

(PEEK seal)

GM1 DIN/ISO 228 S6000

| DN | PN | GM1 | |
|----|-------|-----------------|-----------------|
| | | CARBON STEEL | STAINLESS STEEL |
| DN | PN | ITEM CODE | ITEM CODE |
| 6 | S6000 | GM1GGT1G024P000 | GM1GGT1G044P000 |
| 10 | S6000 | GM1GGT2G024P000 | GM1GGT2G044P000 |
| 13 | S6000 | GM1GGT3G024P000 | GM1GGT3G044P000 |
| 20 | S6000 | GM1GGT4G024P000 | GM1GGT4G044P000 |
| 25 | S6000 | GM1GGT5G024P000 | GM1GGT5G044P000 |

(PTFE seal)

GM1 DIN/ISO 228 S800

| DN | PN | GM1 | |
|----|------|-----------------|-----------------|
| | | CARBON STEEL | STAINLESS STEEL |
| DN | PN | ITEM CODE | ITEM CODE |
| 6 | S800 | GM1GGT1A024F000 | GM1GGT1A044F000 |
| 10 | S800 | GM1GGT2A024F000 | GM1GGT2A044F000 |
| 13 | S800 | GM1GGT3A024F000 | GM1GGT3A044F000 |
| 20 | S800 | GM1GGT4A024F000 | GM1GGT4A044F000 |
| 25 | S800 | GM1GGT5A024F000 | GM1GGT5A044F000 |

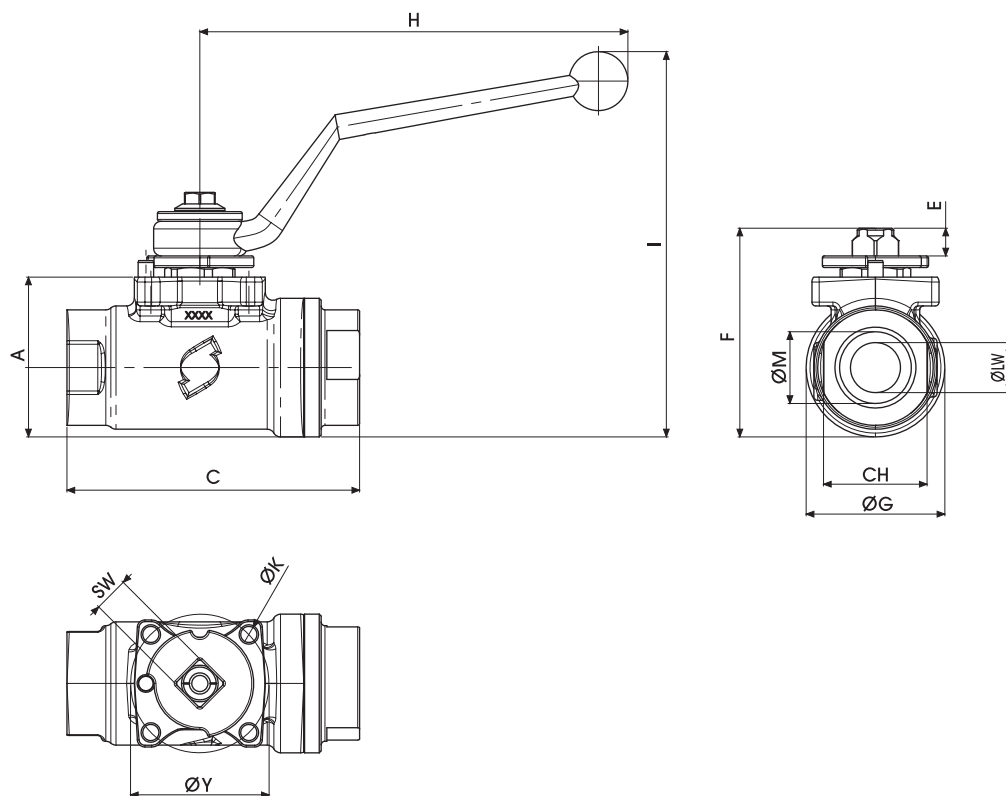
(PTFE seal)

GM1 DIN/ISO 228 S3000

| DN | PN | GM1 | |
|----|-------|-----------------|-----------------|
| | | CARBON STEEL | STAINLESS STEEL |
| DN | PN | ITEM CODE | ITEM CODE |
| 6 | S3000 | GM1GGT1F024F000 | GM1GGT1F044F000 |
| 10 | S3000 | GM1GGT2F024F000 | GM1GGT2F044F000 |
| 13 | S3000 | GM1GGT3F024F000 | GM1GGT3F044F000 |
| 20 | S3000 | GM1GGT4F024F000 | GM1GGT4F044F000 |
| 25 | S3000 | GM1GGT5F024F000 | GM1GGT5F044F000 |

+ GM1 2-WAY HIGH PRESSURE BALL VALVES

Specialist in Ball Valves



GM1 ANSI/ASME B1.20.1 NPT

Standard

| TYPE | DN | A | C | E | F | ØG | H | I | L | ØK | ØY | ØM | CH | SW | ØLW | KG |
|-----------|----|------|-----|----|----|----|-------|-----|------|----|----|-------|----|----|-----|------|
| GM1 N 1/4 | 6 | 37,5 | 72 | 8 | 53 | 31 | 102,5 | 94 | 15,5 | M5 | 36 | N 1/4 | 22 | 9 | 6 | 0,41 |
| GM1 N 3/8 | 10 | 37,5 | 72 | 8 | 53 | 31 | 102,5 | 94 | 15,5 | M5 | 36 | N 3/8 | 22 | 9 | 10 | 0,40 |
| GM1 N 1/2 | 13 | 42 | 81 | 8 | 57 | 36 | 102,5 | 100 | 17 | M5 | 36 | N 1/2 | 27 | 9 | 13 | 0,50 |
| GM1 N 3/4 | 20 | 60 | 98 | 14 | 83 | 49 | 180 | 115 | 21 | M6 | 50 | N 3/4 | 35 | 14 | 20 | 1,45 |
| GM1 N 1 | 25 | 68 | 106 | 14 | 91 | 59 | 180 | 123 | 24 | M6 | 50 | N 1 | 42 | 14 | 25 | 1,98 |

+ GM1

2-WAY HIGH PRESSURE BALL VALVES

www.gemels.it

(POM seal) GM1 ANSI/ASME B1.20.1 NPT PN

| DN | PN | CARBON STEEL | | STAINLESS STEEL | |
|----|-----|-----------------|-----------------|-----------------|-----------------|
| | | ITEM CODE | ITEM CODE | ITEM CODE | ITEM CODE |
| 6 | 500 | GM1NNT15024A000 | GM1NNT15044A000 | GM1NNT15044A000 | GM1NNT15044A000 |
| 10 | 500 | GM1NNT25024A000 | GM1NNT25044A000 | GM1NNT25044A000 | GM1NNT25044A000 |
| 13 | 500 | GM1NNT35024A000 | GM1NNT35044A000 | GM1NNT35044A000 | GM1NNT35044A000 |
| 20 | 400 | GM1NNT44024A000 | GM1NNT44044A000 | GM1NNT44044A000 | GM1NNT44044A000 |
| 25 | 350 | GM1NNT53024A000 | GM1NNT53044A000 | GM1NNT53044A000 | GM1NNT53044A000 |

(POM seal) GM1 ANSI/ASME B1.20.1 NPT S3000

| DN | PN | CARBON STEEL | | STAINLESS STEEL | |
|----|-------|-----------------|-----------------|-----------------|-----------------|
| | | ITEM CODE | ITEM CODE | ITEM CODE | ITEM CODE |
| 6 | S3000 | GM1NNT1F024A000 | GM1NNT1F044A000 | GM1NNT1F044A000 | GM1NNT1F044A000 |
| 10 | S3000 | GM1NNT2F024A000 | GM1NNT2F044A000 | GM1NNT2F044A000 | GM1NNT2F044A000 |
| 13 | S3000 | GM1NNT3F024A000 | GM1NNT3F044A000 | GM1NNT3F044A000 | GM1NNT3F044A000 |
| 20 | S3000 | GM1NNT4F024A000 | GM1NNT4F044A000 | GM1NNT4F044A000 | GM1NNT4F044A000 |
| 25 | S3000 | GM1NNT5F024A000 | GM1NNT5F044A000 | GM1NNT5F044A000 | GM1NNT5F044A000 |

(POM seal) GM1 ANSI/ASME B1.20.1 NPT S6000

| DN | PN | CARBON STEEL | | STAINLESS STEEL | |
|----|-------|-----------------|-----------------|-----------------|-----------------|
| | | ITEM CODE | ITEM CODE | ITEM CODE | ITEM CODE |
| 6 | S6000 | GM1NNT1G024A000 | GM1NNT1G044A000 | GM1NNT1G044A000 | GM1NNT1G044A000 |
| 10 | S6000 | GM1NNT2G024A000 | GM1NNT2G044A000 | GM1NNT2G044A000 | GM1NNT2G044A000 |
| 13 | S6000 | GM1NNT3G024A000 | GM1NNT3G044A000 | GM1NNT3G044A000 | GM1NNT3G044A000 |
| 20 | S6000 | GM1NNT4G024A000 | GM1NNT4G044A000 | GM1NNT4G044A000 | GM1NNT4G044A000 |
| 25 | S6000 | GM1NNT5G024A000 | GM1NNT5G044A000 | GM1NNT5G044A000 | GM1NNT5G044A000 |

(PEEK seal) GM1 ANSI/ASME B1.20.1 NPT PN

| DN | PN | CARBON STEEL | | STAINLESS STEEL | |
|----|-----|-----------------|-----------------|-----------------|-----------------|
| | | ITEM CODE | ITEM CODE | ITEM CODE | ITEM CODE |
| 6 | 500 | GM1NNT15024P000 | GM1NNT15044P000 | GM1NNT15044P000 | GM1NNT15044P000 |
| 10 | 500 | GM1NNT25024P000 | GM1NNT25044P000 | GM1NNT25044P000 | GM1NNT25044P000 |
| 13 | 500 | GM1NNT35024P000 | GM1NNT35044P000 | GM1NNT35044P000 | GM1NNT35044P000 |
| 20 | 400 | GM1NNT44024P000 | GM1NNT44044P000 | GM1NNT44044P000 | GM1NNT44044P000 |
| 25 | 350 | GM1NNT53024P000 | GM1NNT53044P000 | GM1NNT53044P000 | GM1NNT53044P000 |

(PEEK seal) GM1 ANSI/ASME B1.20.1 NPT S3000

| DN | PN | CARBON STEEL | | STAINLESS STEEL | |
|----|-------|-----------------|-----------------|-----------------|-----------------|
| | | ITEM CODE | ITEM CODE | ITEM CODE | ITEM CODE |
| 6 | S3000 | GM1NNT1F024P000 | GM1NNT1F044P000 | GM1NNT1F044P000 | GM1NNT1F044P000 |
| 10 | S3000 | GM1NNT2F024P000 | GM1NNT2F044P000 | GM1NNT2F044P000 | GM1NNT2F044P000 |
| 13 | S3000 | GM1NNT3F024P000 | GM1NNT3F044P000 | GM1NNT3F044P000 | GM1NNT3F044P000 |
| 20 | S3000 | GM1NNT4F024P000 | GM1NNT4F044P000 | GM1NNT4F044P000 | GM1NNT4F044P000 |
| 25 | S3000 | GM1NNT5F024P000 | GM1NNT5F044P000 | GM1NNT5F044P000 | GM1NNT5F044P000 |

(PEEK seal) GM1 ANSI/ASME B1.20.1 NPT S6000

| DN | PN | CARBON STEEL | | STAINLESS STEEL | |
|----|-------|-----------------|-----------------|-----------------|-----------------|
| | | ITEM CODE | ITEM CODE | ITEM CODE | ITEM CODE |
| 6 | S6000 | GM1NNT1G024P000 | GM1NNT1G044P000 | GM1NNT1G044P000 | GM1NNT1G044P000 |
| 10 | S6000 | GM1NNT2G024P000 | GM1NNT2G044P000 | GM1NNT2G044P000 | GM1NNT2G044P000 |
| 13 | S6000 | GM1NNT3G024P000 | GM1NNT3G044P000 | GM1NNT3G044P000 | GM1NNT3G044P000 |
| 20 | S6000 | GM1NNT4G024P000 | GM1NNT4G044P000 | GM1NNT4G044P000 | GM1NNT4G044P000 |
| 25 | S6000 | GM1NNT5G024P000 | GM1NNT5G044P000 | GM1NNT5G044P000 | GM1NNT5G044P000 |

(PTFE seal) GM1 ANSI/ASME B1.20.1 NPT S800

| DN | PN | CARBON STEEL | | STAINLESS STEEL | |
|----|------|-----------------|-----------------|-----------------|-----------------|
| | | ITEM CODE | ITEM CODE | ITEM CODE | ITEM CODE |
| 6 | S800 | GM1NNT1A024F000 | GM1NNT1A044F000 | GM1NNT1A044F000 | GM1NNT1A044F000 |
| 10 | S800 | GM1NNT2A024F000 | GM1NNT2A044F000 | GM1NNT2A044F000 | GM1NNT2A044F000 |
| 13 | S800 | GM1NNT3A024F000 | GM1NNT3A044F000 | GM1NNT3A044F000 | GM1NNT3A044F000 |
| 20 | S800 | GM1NNT4A024F000 | GM1NNT4A044F000 | GM1NNT4A044F000 | GM1NNT4A044F000 |
| 25 | S800 | GM1NNT5A024F000 | GM1NNT5A044F000 | GM1NNT5A044F000 | GM1NNT5A044F000 |

(PTFE seal) GM1 ANSI/ASME B1.20.1 NPT S3000

| DN | PN | CARBON STEEL | | STAINLESS STEEL | |
|----|-------|-----------------|-----------------|-----------------|-----------------|
| | | ITEM CODE | ITEM CODE | ITEM CODE | ITEM CODE |
| 6 | S3000 | GM1NNT1F024F000 | GM1NNT1F044F000 | GM1NNT1F044F000 | GM1NNT1F044F000 |
| 10 | S3000 | GM1NNT2F024F000 | GM1NNT2F044F000 | GM1NNT2F044F000 | GM1NNT2F044F000 |
| 13 | S3000 | GM1NNT3F024F000 | GM1NNT3F044F000 | GM1NNT3F044F000 | GM1NNT3F044F000 |
| 20 | S3000 | GM1NNT4F024F000 | GM1NNT4F044F000 | GM1NNT4F044F000 | GM1NNT4F044F000 |
| 25 | S3000 | GM1NNT5F024F000 | GM1NNT5F044F000 | GM1NNT5F044F000 | GM1NNT5F044F000 |



2-WAY HIGH PRESSURE BALL VALVES

Specialist in Ball Valves

Note

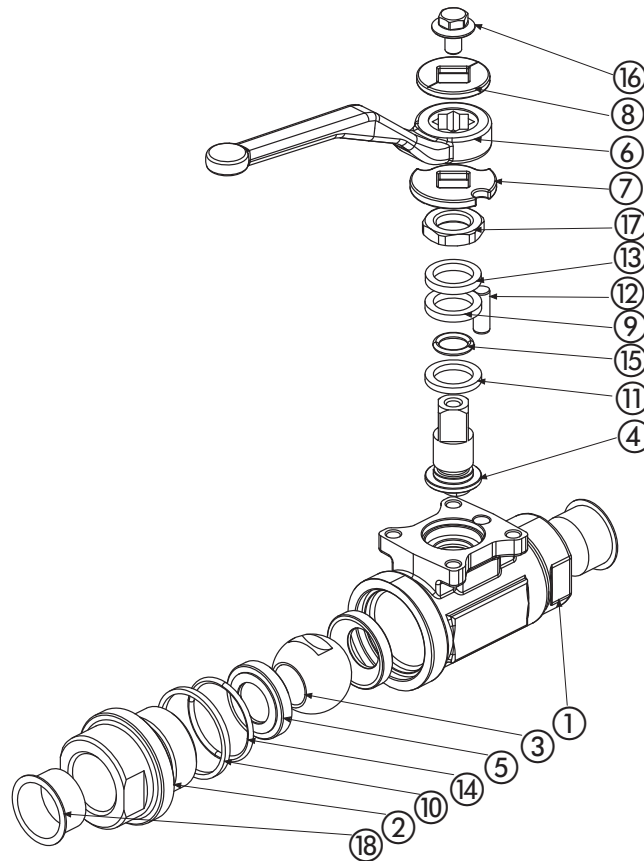
Blank lined area for notes.

+ GM1

2-WAY HIGH PRESSURE BALL VALVES

www.gemels.it

2016 - Edition 1



Carbon steel

| Pos | Description | Material | Q.tà |
|-----|----------------|------------|------|
| 1 | Body | 1,0570 | 1 |
| 2 | Adapter | 1,0570 | 2 |
| 3 | Ball | 1,4404 | 1 |
| 4 | Stem | 1,4404 | 1 |
| 5 | Ball Seat | PTFE | 2 |
| 6 | Handle | 1,0116 | 1 |
| 7 | Washer | 1,4301 | 1 |
| 8 | Washer | 1,4301 | 1 |
| 9 | Body ring | GRAPHITE | 1 |
| 10 | Adapter ring | GRAPHITE | 2 |
| 11 | Stem ring | PTFE | 2 |
| 12 | Spine | 1,4301 | 1 |
| 13 | Press ring | 1,4301 | 1 |
| 14 | Adapter o-ring | NBR | 2 |
| 15 | Stem o-ring | NBR | 1 |
| 16 | Screw | DIN6921 A2 | 1 |
| 17 | Nut | 1,4301 | 1 |
| 18 | Caps | PVC | 2 |

- On request**
- Reduced bore
 - O-Ring in FKM, EPDM, HNBR, KALREZ
 - Seals in PTFE, PEEK, PA612, GEMPTFE, METAL TO METAL
 - Special threads
 - Pressure class up to PN500 or 6000 Psi
 - Locking device

For further special requests please consult our technical/commercial service

Stainless steel

| Pos | Description | Material | Q.tà |
|-----|----------------|------------|------|
| 1 | Body | 1,4404 | 1 |
| 2 | Adapter | 1,4404 | 2 |
| 3 | Ball | 1,4404 | 1 |
| 4 | Stem | 1,4404 | 1 |
| 5 | Ball Seat | PTFE | 2 |
| 6 | Handle | 1,0116 | 1 |
| 7 | Washer | 1,4301 | 1 |
| 8 | Washer | 1,4301 | 1 |
| 9 | Body ring | GRAPHITE | 1 |
| 10 | Adapter ring | GRAPHITE | 2 |
| 11 | Stem ring | PTFE | 2 |
| 12 | Spine | 1,4301 | 1 |
| 13 | Press ring | 1,4301 | 1 |
| 14 | Adapter o-ring | NBR | 2 |
| 15 | Stem o-ring | NBR | 1 |
| 16 | Screw | DIN6921 A2 | 1 |
| 17 | Nut | 1,4301 | 1 |
| 18 | Caps | PVC | 2 |

- On request**
- Reduced bore
 - O-Ring in FKM, EPDM, HNBR, KALREZ
 - Seals in PTFE, PEEK, PA612, GEMPTFE, METAL TO METAL
 - Special threads
 - Pressure class up to PN500 or 6000 Psi
 - Locking device