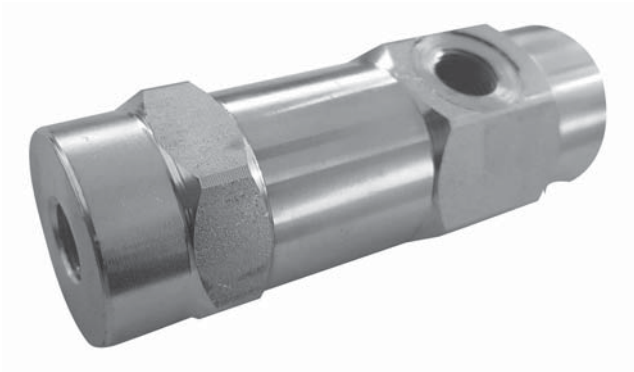


# + GPS

## 3 WAYS SINGLE PILOT OPERATED CHECK VALVES



### CARBON STEEL

- Type: 3-ways single pilot operated check valves GPS
- Body: zinc-plated steel
- Internal parts: hardened and ground steel
- Seals: NBR standard
- Poppet type: any leakage.
- Oil temperature: 50°C
- Oil viscosity: 30 cSt
- Operating pressure: 350-400 Bar
- Temp range: -20°C to +100°C



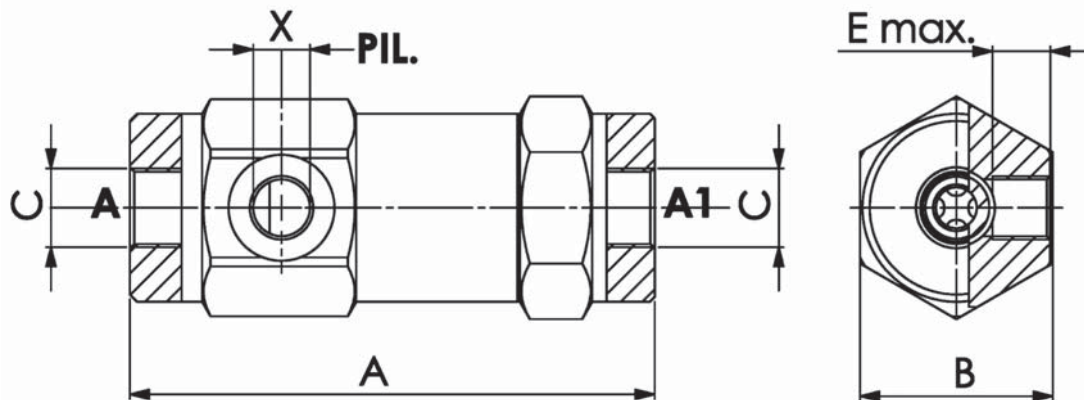
GPS	G 1/4	2,5	V
Type and way of valve GPS	Port size	Cracking pressure	Seals hole NBR
	G 1/4	2,5	
	G 3/8	5	
	G 1/2	3	
	G 3/4	0,5	
	G 1	1	

GPS



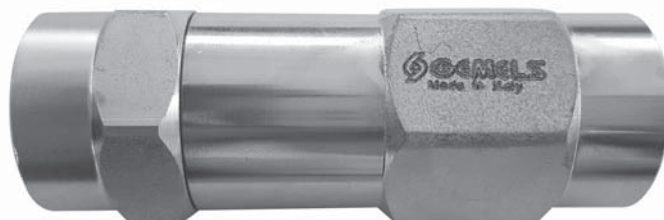
# + GPS 3 WAYS SINGLE PILOT OPERATED CHECK VALVES

Specialist in Ball Valves



## GPS

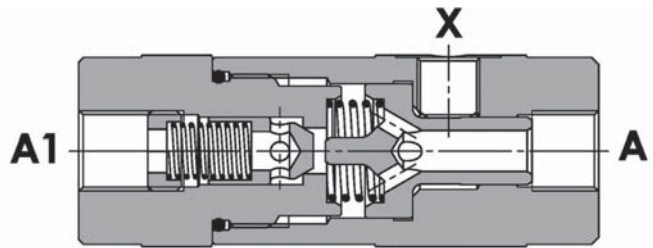
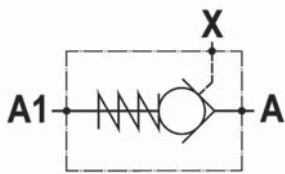
TYPE	MAXFLOW	MAX PRESSURE	CRACKING PRESSURE	A	B	C	X	E	PILOT RATIO	KG	ITEM CODE
	l/min	BAR		mm	mm	BSPP	BSPP	mm			
GPS G 1/4	12	400	2,5	103	36	1/4	1/4	11	1:9	0,650	G550202A01AARAA
GPS G 3/8	30	400	5	109	40	3/8	1/4	11,5	1:6	0,820	G550203A01AARAA
GPS G 1/2	45	350	3	120	42	1/2	1/4	11	1:4.5	0,960	G550204A01AAPAA
GPS G 3/4	85	350	0,5	131	55	3/4	1/4	14	1:3.7	1,950	G550205A01AAPAA
GPS G 1	120	350	1	165	55	1	1/4	14	1:3.5	2,35	G550206A01AAPAA



# + GPS 3 WAYS SINGLE PILOT OPERATED CHECK VALVES

www.gemels.it

**ON REQUEST:**  
• 8 Bar spring



## PRESSURE DROP CURVES

Oil viscosity 24 mm<sup>2</sup>/sec. (3,5°E)  
Temperature 50° C

