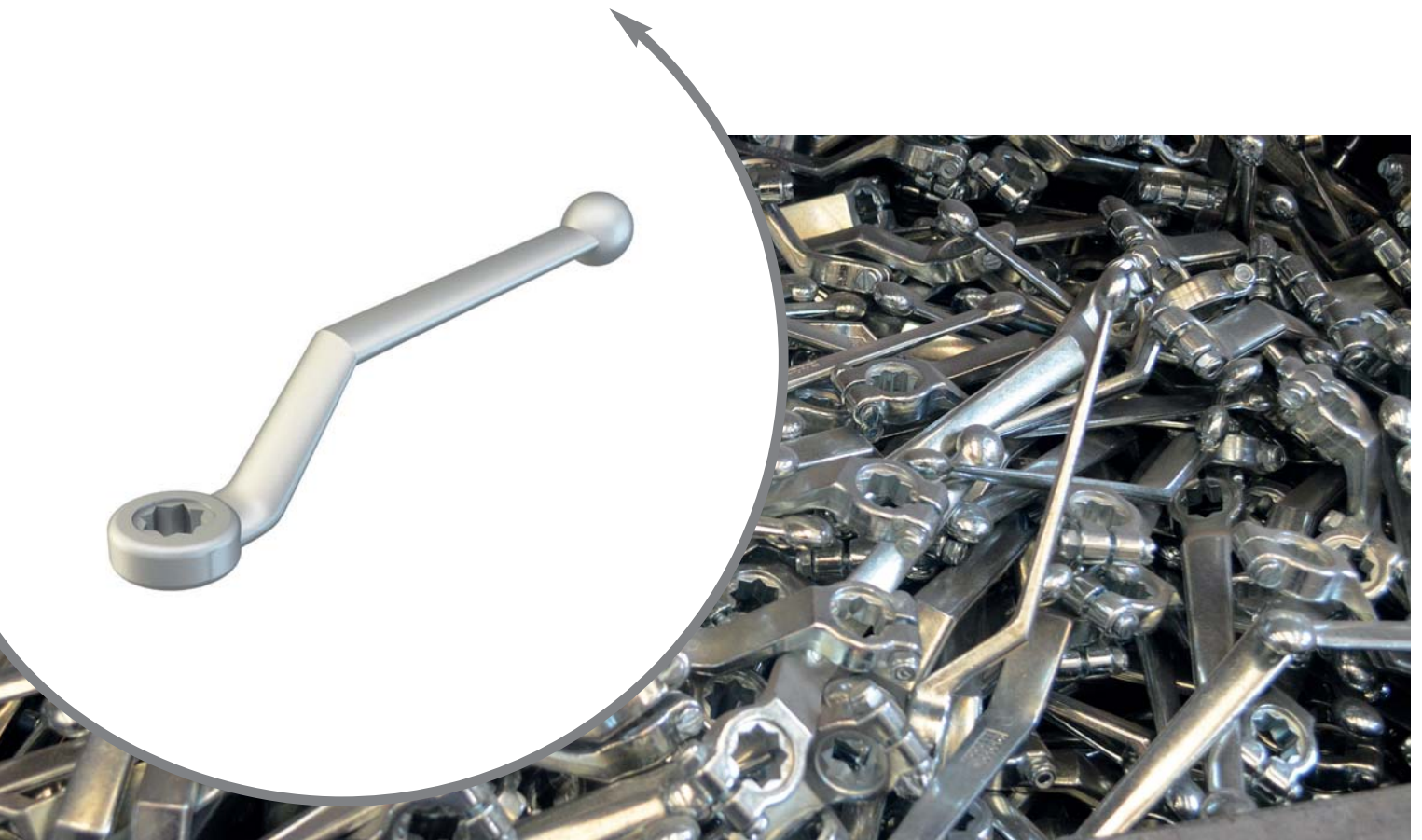


# + Handles



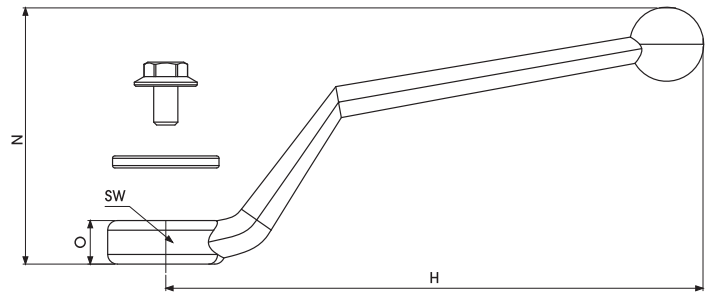
**BENT HANDLES**  
**BUTTERFLY HANDLES**  
**CUT BENT HANDLES**  
**CUT STRAIGHT HANDLES**  
**PIPE HANDLES**  
**SHORT HANDLES**  
**STRAIGHT HANDLES**

Handles



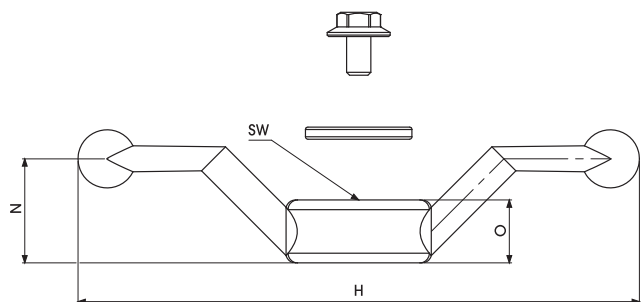
# + Handles

Specialist in Ball Valves



## BENT HANDLES

SW	H	N	O	MATERIAL	TREATMENT	WEIGHT Kg	HANDLE CODE	KIT CODE
9	104,5	40,34	9	ZINC	GALVANIZED	0,054	C021330ZC	<b>K06A0018859000C</b> (only GE1 and GE5)
9	110	53	9	ZINC	GALVANIZED	0,082	C001010ZC	<b>KOL0011ZZ</b>
9	110	53	9	CARBON STEEL	GALVANIZED	0,097	C0010102Z	<b>KOL0011ZZ</b>
9	110	53	9	STAINLES STEEL	-	0,098	C0010106H	<b>KOL00116H</b>
14	180	48	13	ZINC	GALVANIZED	0,18	C008550ZC	<b>KOL0016ZZ</b>
14	180	48	14	CARBON STEEL	GALVANIZED	0,248	C0069202Z	<b>KOL00152Z</b>
14	180	48	14	STAINLES STEEL	-	0,257	C0069206H	<b>KOL00156H</b>
17	300	71	14	CARBON STEEL	GALVANIZED	0,662	C0092502Z	<b>KBL00132Z</b>
17	300	71	14	STAINLES STEEL	-	0,675	C0092506H	<b>KBL00136H</b>

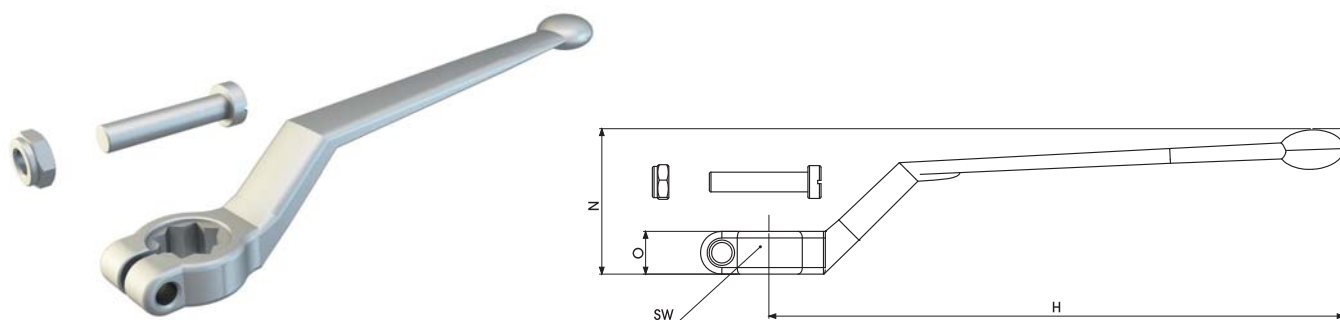


## BUTTERFLY HANDLES

SW	H	N	O	MATERIAL	TREATMENT	WEIGHT Kg	HANDLE CODE	KIT CODE
9	116	27,5	13	ZINC	GALVANIZED	0,107	C010740ZZ	<b>KOL0018ZZ</b>
14	116	27,5	13	ZINC	GALVANIZED	0,097	C010750ZZ	<b>KOL0019ZZ</b>

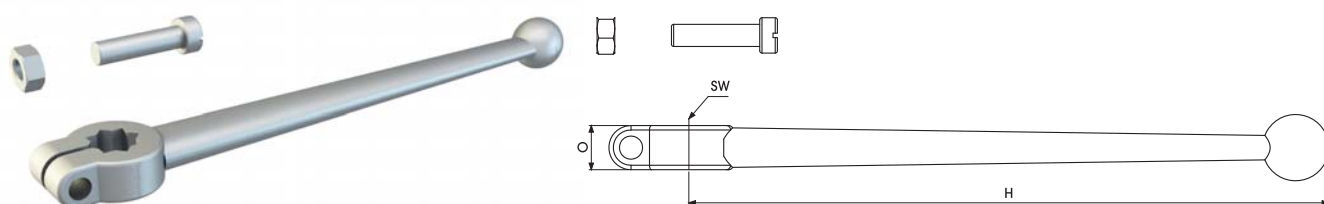
# + Handles

www.gemels.it



## CUT BENT HANDLES

SW	H	N	O	MATERIAL	TREATMENT	WEIGHT Kg	HANDLE CODE	KIT CODE
14	180	53	13	ZINC	GALVANIZED	0,195	C001200ZC	KEL007ZZ
14	330	71	14	ALLUMINIUM	RED PAINTED	0,222	C000360AV	KBL0010HV



## CUT STRAIGHT HANDLES

SW	H	N	O	MATERIAL	TREATMENT	WEIGHT Kg	HANDLE CODE	KIT CODE
9	145	10	-	ZINC	GALVANIZED	0,042	C000020ZZ	KEL006ZZ
14	300	14	-	ALLUMINIUM	RED PAINTED	0,208	C002890AV	KBL009HV



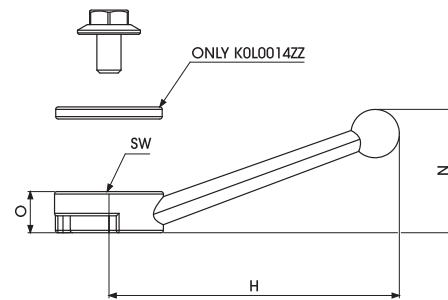
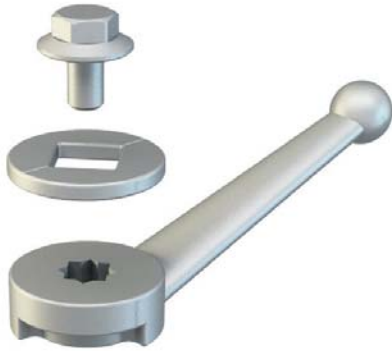
## PIPE HANDLES

SW	H	N	O	MATERIAL	TREATMENT	WEIGHT Kg	HANDLE CODE	KIT CODE
19	650	73,5	-	CARBON STEEL	GALVANIZED	2,112	C0012502Z	KOL00202Z
19	650	73,5	-	STAINLES STEEL	-	2,312	C0012506H	KOL00206H
24	650	78	-	CARBON STEEL	GALVANIZED	3,912	C0012502Z	KOL00212Z
24	650	78	-	STAINLES STEEL	-	4	C0012506H	KOL00216H

# + Handles

www.gemels.it

2016 - Edition 1



## SHORT HANDLES

SW	H	N	O	MATERIAL	TREATMENT	WEIGHT Kg	HANDLE CODE	KIT CODE
6	60	25,50	8,5	ZINC	RED PAINTED	0,024	C001490ZV	K1LT117ZV
9	60	25,50	8,5	ZINC	GALVANIZED	0,022	C009490ZZ	K0L0014ZZ



## STRAIGHT HANDLES

SW	H	N	O	MATERIAL	TREATMENT	WEIGHT Kg	HANDLE CODE	KIT CODE
14	200	-	14	ALLUMINIUM	RED PAINTED	0,109	C002950AV	KELO08HV
17	300	-	13	CARBON STEEL	GALVANIZED	0,457	C0081302Z	K0L00122Z
17	300	-	13	STAINLES STEEL	-	0,467	C0081306H	K0L00126H