



Hydraulic & Offshore Supplies

t: +44(0)191 549 7335

e: hose@hos.co.uk

w: www.hos.co.uk

Actuators



+ Actuators

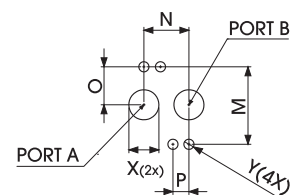
Specialist in Ball Valves



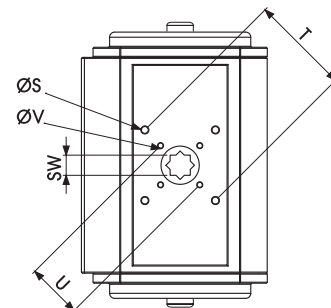
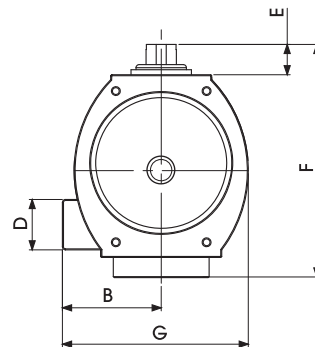
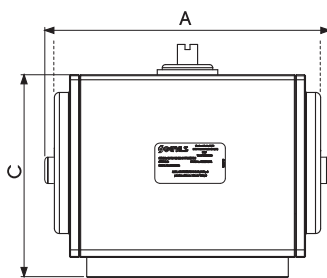
ACTUATORS DA

Basic Operating Details

- Port "A" Air to open (anti clockwise)
- Port "B" Air to close (clockwise)
- Air supply: 6 bar; maximum 7 bar
- Drive Medium = Air (Dry or lubricated); not corrosive Gas; light hydraulic oil
- Temperature= Buna nitrile o'seals -40° to 80°C or -40 to 176° F
- Standard indicator position



Solenoid mounting for all actuators



DA ACTUATORS (double acting)

| TYPE | ISO5211 | A | B | C | D | E | F | G | M | N | O | P | ØS | T | ØV | U | X | Y | SW | WEIGHT Kg | ITEM CODE |
|-------|---------|-------|------|-------|----|----|-------|-------|----|----|----|----|-----|-----|-----|-----|----------------------|------|----|-----------|----------------|
| DA25 | F03-F05 | 160 | 38 | 70 | 40 | 20 | 90 | 69,5 | 32 | 24 | 16 | 12 | M6 | 50 | M5 | 36 | G _{1/8} x12 | M5X8 | 9 | 1 | FATDA0250401SH |
| DA100 | F05-F07 | 222,5 | 59 | 118 | 43 | 20 | 138 | 113 | 32 | 24 | 16 | 12 | M8 | 70 | M6 | 50 | G _{1/8} x12 | M5X8 | 14 | 2,8 | FATDA1000401SH |
| DA200 | F05-F07 | 238 | 72 | 140,5 | 43 | 20 | 160,5 | 136,5 | 32 | 24 | 16 | 12 | M8 | 70 | M6 | 50 | G _{1/4} x12 | M5X8 | 17 | 7,0 | FATDA2000401SH |
| DA375 | F07-F10 | 286 | 78 | 166,5 | 43 | 30 | 196,5 | 156 | 32 | 24 | 16 | 12 | M10 | 102 | M8 | 70 | G _{1/4} x12 | M5X8 | 22 | 10,5 | FATDA3750401SH |
| DA825 | F10-F12 | 360 | 95,5 | 207,5 | 43 | 30 | 237,5 | 191 | 32 | 24 | 16 | 12 | M12 | 125 | M10 | 102 | G _{1/4} x12 | M5X8 | 27 | 22,4 | FATDA8250401SH |

VALVES WITH DA ACTUATORS

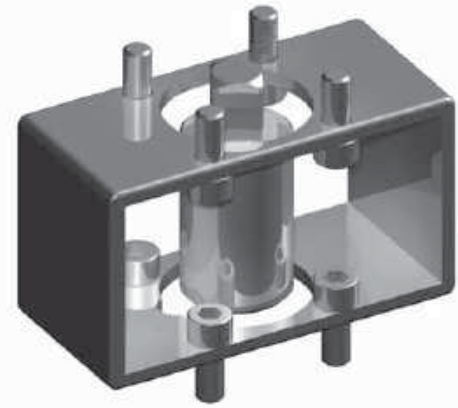
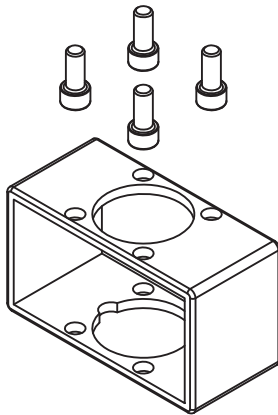
| TYPE | BALL VALVES | DN |
|-------|-----------------|------------|
| DA25 | GE-GHP-GN-GR-SB | 06-10-13 |
| DA100 | GE-GHP-GN-GR-SB | 20-25 |
| DA200 | GB-GHP-GN-GR-SB | 32-40 |
| DA375 | GB-GHP-GN-GR-SB | 50-65 |
| DA825 | GR-SB | 80-100-125 |

DA ACTUATORS TORQUE MOMENT

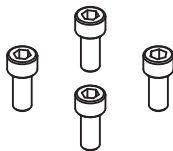
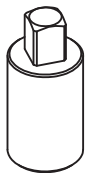
| TYPE | AIR SUPPLY | N/m |
|-------|------------|-------|
| DA25 | 6 BAR | 23,7 |
| DA100 | 6 BAR | 101,5 |
| DA200 | 6 BAR | 201,9 |
| DA375 | 6 BAR | 374 |
| DA825 | 6 BAR | 824 |

+ Actuators

Specialist in Ball Valves



KITS WASHER
 ONLY FOR GN-GB VALVES -KIT ACTUATOR
 C0034406H FOR DN6-DN10-DN13-DN20-DN25-DN32
 C0034306H FOR DN40-DN50



DA ACTUATORS KITS

| TYPE | BALL VALVES | DN | MATERIAL | ISO5211 | WHEIGHT Kg | ITEM CODE |
|-------|--------------------|----------|--------------|-----------------|------------|--------------|
| AK65 | SB | 65-80 | CARBON STEEL | F05 F07-F05 | 0,74 | KOC00AK651X |
| AK32 | SB | 32-40 | CARBON STEEL | F05 F07-F05 | 0,60 | KOC00AK321X |
| AK40 | GB-GHP-GN-GR-SB | 32-40 | CARBON STEEL | F05 F07-F05 | 0,67 | KOC00AK401X |
| AK20 | GE-GB-GHP-GN-GR-SB | 20-25 | CARBON STEEL | F05 F07-F05 | 0,52 | KOC00AK201X |
| AK6 | GE-GHP-GN-GR-SB | 06-10-13 | CARBON STEEL | F03-F03 | 0,25 | KOC00AK61X |
| AK13 | GE-GHP-GN-GR | 13 | CARBON STEEL | F03-F05 | 0,31 | KOC00AK131X |
| AK100 | GR-SB | 100-125 | CARBON STEEL | F10 F12-F12 | 2,05 | KOC00AK1001X |
| AK50 | GB-GHP-GN-GR-SB | 50 | CARBON STEEL | F05 F07-F05 | 0,71 | KOC00AK501X |
| AK6S | GN | 06-10-13 | CARBON STEEL | F03 F05-F03 F05 | 0,30 | KOC00AK6S1X |

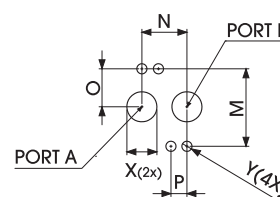
+ Actuators



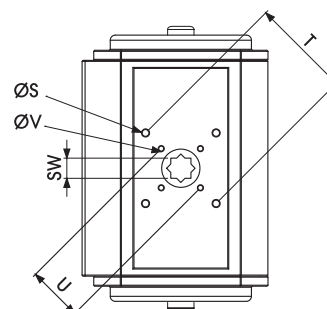
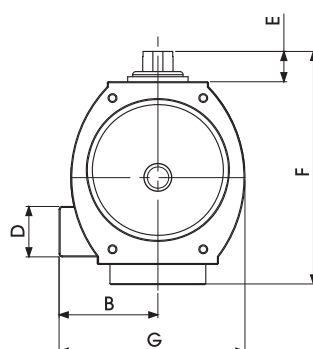
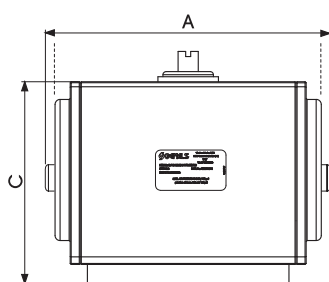
ACTUATORS SR

Basic Operating Details

- Port "A" Air to open (anti clockwise compressing spring)
- Port "B" Spring to close (clockwise)
- Air supply: 6 bar; maximum 7 bar
- Drive Medium = Air (Dry or lubricated); not corrosive Gas; light hydraulic oil
- Temperature = Buna nitrile o'seals -40° to 80°C or -40° to 176° F
- Standard indicator position



Solenoid mounting for all actuators



SR ACTUATORS (spring return)

| TYPE | IS05211 | A | B | C | D | E | F | G | M | N | O | P | ØS | T | ØV | U | X | Y | SW | WEIGHT Kg | ITEM CODE |
|-------|---------|-------|------|-------|----|----|-------|-------|----|----|----|----|-----|-----|-----|-----|----------|------|----|-----------|----------------|
| SR25 | F03-F05 | 160 | 38 | 70 | 40 | 20 | 90 | 69,5 | 32 | 24 | 16 | 12 | M6 | 50 | M5 | 36 | G1/8 x12 | M5x8 | 9 | 1 | FATSR0250401SH |
| SR50 | F05-F07 | 203 | 49 | 87 | 40 | 20 | 107 | 90,5 | 32 | 24 | 16 | 12 | M8 | 70 | M6 | 50 | G1/8 x12 | M5x8 | 11 | 1,9 | FATSR0500401SH |
| SR100 | F05-F07 | 222,5 | 59 | 118 | 43 | 20 | 138 | 113 | 32 | 24 | 16 | 12 | M8 | 70 | M6 | 50 | G1/8 x12 | M5x8 | 14 | 2,8 | FATSR1000401SH |
| SR200 | F07-F10 | 238 | 72 | 140,5 | 43 | 20 | 160,5 | 136,5 | 32 | 24 | 16 | 12 | M8 | 102 | M6 | 70 | G1/4 x12 | M5x8 | 17 | 7 | FATSR2000401SH |
| SR375 | F07-F10 | 286 | 78 | 166,5 | 43 | 30 | 196,5 | 156 | 32 | 24 | 16 | 12 | M10 | 102 | M8 | 70 | G1/4 x12 | M5x8 | 22 | 10,5 | FATSR3750401SH |
| SR600 | F10-F12 | 334 | 95,5 | 207,5 | 43 | 30 | 237,5 | 191 | 32 | 24 | 16 | 12 | M12 | 125 | M10 | 102 | G1/4 x12 | M5x8 | 27 | 20,6 | FATSR6000401SH |
| SR825 | F10-F12 | 360 | 95,5 | 207,5 | 43 | 30 | 237,5 | 191 | 32 | 24 | 16 | 12 | M12 | 125 | M10 | 102 | G1/4 x12 | M5x8 | 27 | 22,4 | FATSR8250401SH |

VALVES WITH SR ACTUATORS

| TYPE | BALL VALVES | DN |
|-------|--------------------|-----------------------|
| SR25 | GE-GHP-GN-GR-SB | 06-10 |
| SR50 | GE-GHP-GN-GR-SB | 13 |
| SR50 | GN | 06-10-13 |
| SR100 | GE-GB-GHP-GN-GR-SB | 20-25 |
| SR200 | GB-GHP-GN-GR-SB | 32-40 |
| SR375 | GB-GHP-GN-GR-SB | 50-65 |
| SR600 | GB-GHP-GN-GR-SB | 80-100 (LOW PRESSURE) |
| SR825 | GR-SB | 80-100-125 |

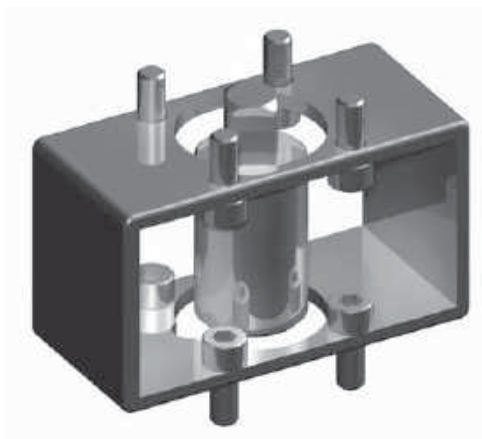
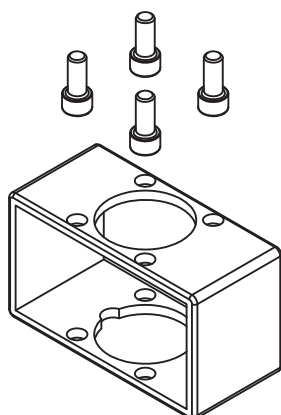
SR ACTUATORS TORQUE MOMENT

| TYPE | AIR SUPPLY | AIR-START N/m | AIR-END N/m | SPRING-START N/m | SPRING-END N/m | N°SPRING |
|-------|------------|---------------|-------------|------------------|----------------|----------|
| SR25 | 6 BAR | 16,3 | 9,3 | 14,41 | 7,37 | 11 |
| SR50 | 6 BAR | 32,7 | 18,1 | 32,64 | 18 | 12 |
| SR100 | 6 BAR | 61,4 | 40,1 | 61,3 | 40 | 12 |
| SR200 | 6 BAR | 130,33 | 71,73 | 130,2 | 71,6 | 4X4 |
| SR375 | 6 BAR | 241,54 | 132,98 | 241,2 | 132,64 | 4X4 |
| SR600 | 6 BAR | 385,20 | 212,1 | 384,6 | 211,5 | 4X4 |
| SR825 | 6 BAR | 533 | 294 | 531 | 292 | 4X4 |

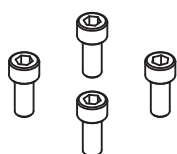
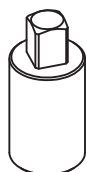
+ Actuators

www.gemels.it

2014 - Edition 2



KITS WASHER
 ONLY FOR GN-GB VALVES -KIT ACTUATOR
 C0034406H FOR DN6-DN10-DN13-DN20-DN25-DN32
 C0034306H FOR DN40-DN50



SR ACTUATORS KITS

| TYPE | BALL VALVES | DN | MATERIAL | ISO5211 | WHEIGHT Kg | ITEM CODE |
|-------|--------------------|----------|--------------|-----------------|------------|--------------|
| AK65 | SB | 65-80 | CARBON STEEL | F05 F07-F05 | 0,74 | KOC00AK651X |
| AK32 | SB | 32-40 | CARBON STEEL | F05 F07-F05 | 0,60 | KOC00AK321X |
| AK40 | GB-GHP-GN-GR-SB | 32-40 | CARBON STEEL | F05 F07-F05 | 0,67 | KOC00AK401X |
| AK20 | GE-GB-GHP-GN-GR-SB | 20-25 | CARBON STEEL | F05 F07-F05 | 0,52 | KOC00AK201X |
| AK6 | GE-GHP-GN-GR-SB | 06-10-13 | CARBON STEEL | F03-F03 | 0,25 | KOC00AK61X |
| AK13 | GE-GHP-GN-GR | 13 | CARBON STEEL | F03-F05 | 0,31 | KOC00AK131X |
| AK100 | GR-SB | 100-125 | CARBON STEEL | F10 F12-F12 | 2,05 | KOC00AK1001X |
| AK50 | GB-GHP-GN-GR-SB | 50 | CARBON STEEL | F05 F07-F05 | 0,71 | KOC00AK501X |
| AK6S | GN | 06-10-13 | CARBON STEEL | F03 F05-F03 F05 | 0,30 | KOC00AK6S1X |



Contact Us

Tel: +44(0)191 549 7335

Email: hos@hos.co.uk

Web: www.hos.co.uk

