



Hydraulic &
Offshore Supplies

t: +44(0)191 549 7335

e: hose@hos.co.uk

w: www.hos.co.uk

Bladder
Accumulator
690 - 760 Bar
Range



Design Features and Benefits

1 Shell

Seamless shell, designed and manufactured to PED 97/23/EEC and CE marked. Material - Chromium-molybdenum steel. Working pressure 690 bar and 760 bar.

2 Label

With assembly specification and installation details.

3 Material Certification

Available on request for all major pressure loaded parts to EN 10204 3.1

4 Finish

One coat primer paint as standard. Special paints available.

5 Bladder

Totally enclosed construction with an extensive range of elastomers available. See Bladder datasheet for further details.

6 Fluid Port Assembly

Integral port and poppet valve assembly with an anti-extrusion ring. For options see page 3.

7 Safety

All gas-loaded accumulators are pressurised vessels and it is recommended that safety consideration be given to the application in which they are used. A relief valve should always be fitted to the hydraulic system with the option of a burst disc to protect the accumulator. See Installation and Servicing data sheet for information regarding installation of accumulators.

8 Pressure Testing

A hydrostatic pressure test is carried out on all our accumulator shells during the manufacturing process. We can carry out additional pressure testing witnessed by a specified Inspection Authority and/or customer as an optional extra if required.

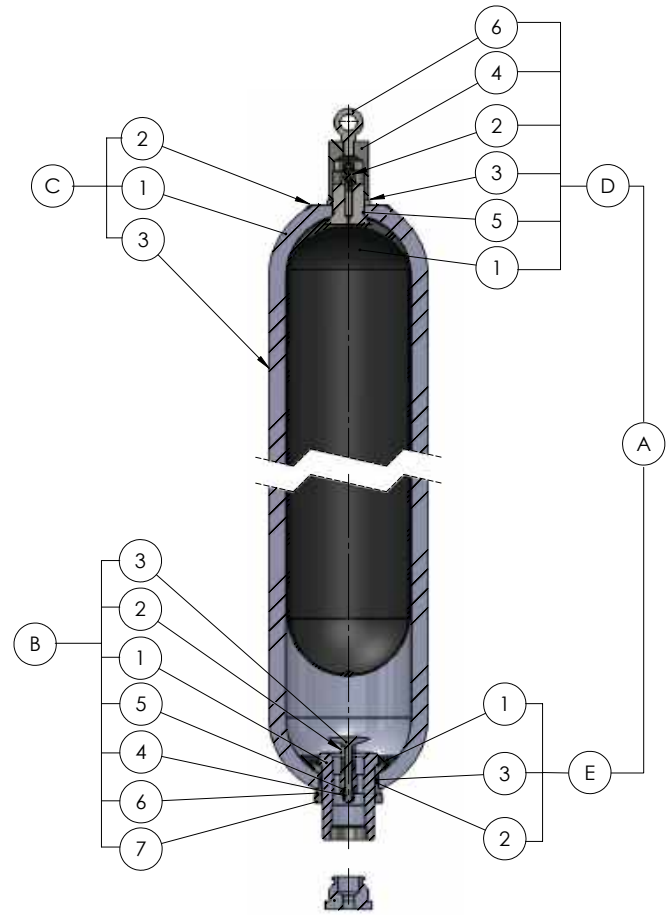
We can also carry out a hydro-pneumatic pressure test on the complete assembly as an optional extra if required. Again this can be witnessed by a specified inspection authority and/or customer.

9 Accessories

A complete range of accumulator accessories are available from Parker Olaer.

10 Spare Parts

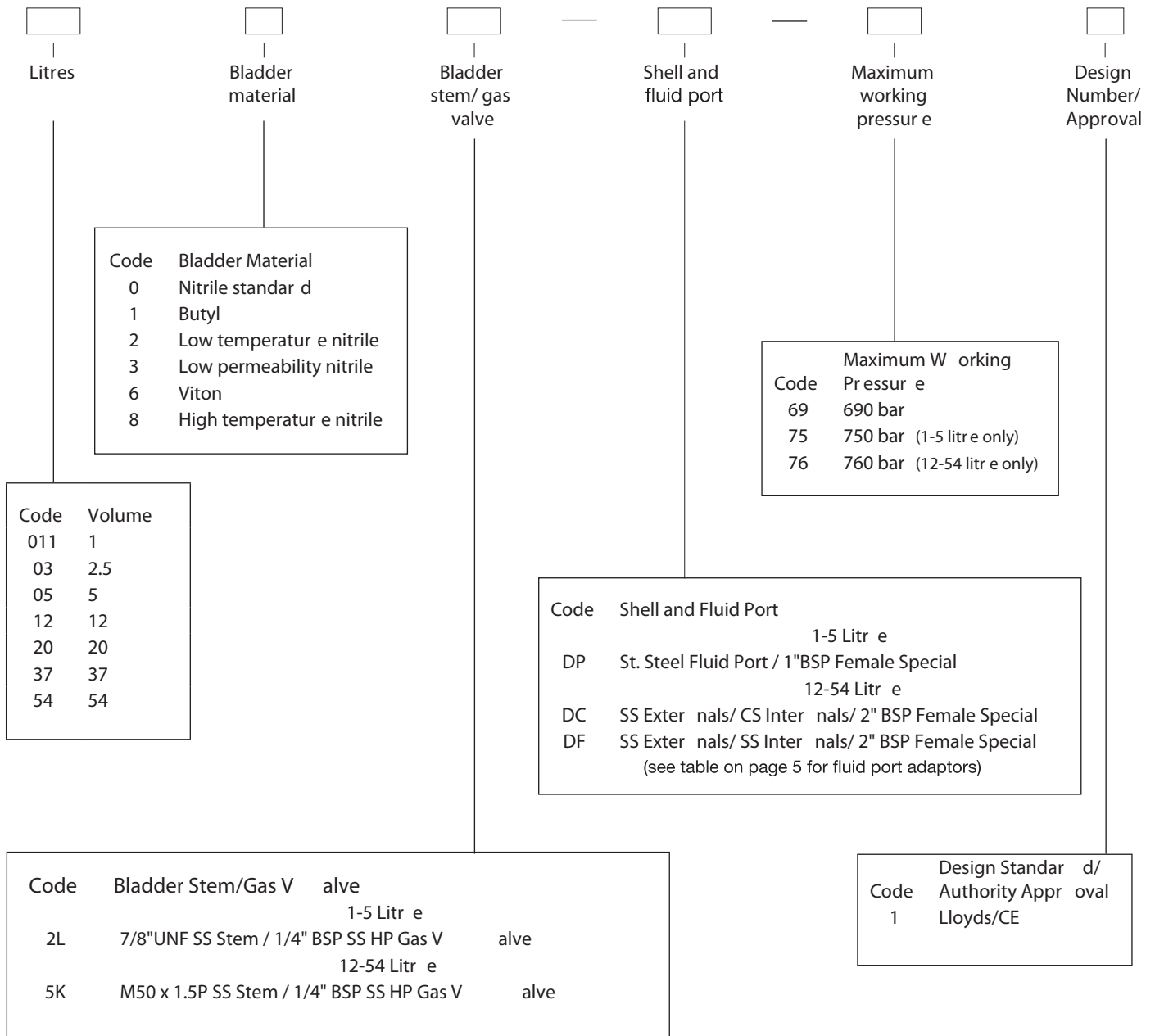
Available on request.



Fluid Port Adaptor
 (see table on page 5)

A	Bladder Kit comprising:
D	Bladder assembly
D1	Bladder
D2	Gas valve assembly
D3	Locknut
D4	Protective cap
D5	'O' ring stem
E	Anti extrusion ring assembly
E1	Anti extrusion ring
E2	'O' ring fluid port*
E3	Back-up ring
B	Fluid port assembly comprising
B1	Fluid port body
B2	Spring
B3	Poppet valve
B4	Collett
B5	Piston
B6	Flanged washer
B7	Lock ring
C	Shell assembly comprising:
C1	Shell
C2	Label
C3	Label warning

How to Order Bladder Accumulators

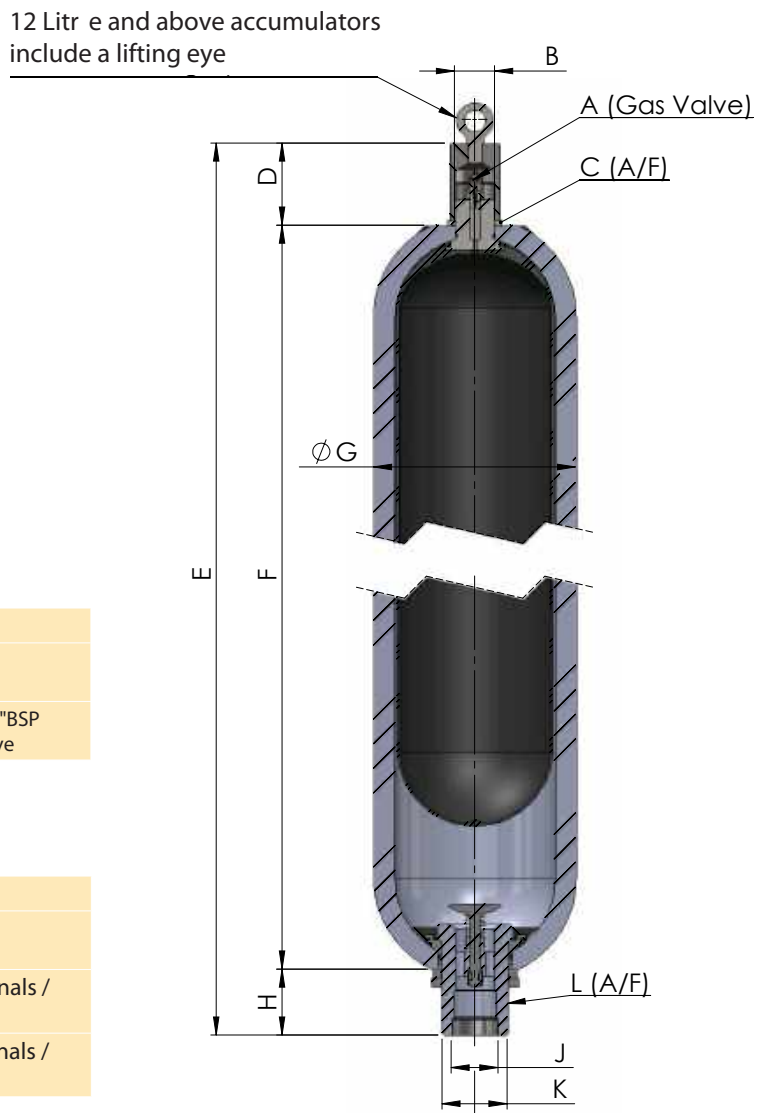
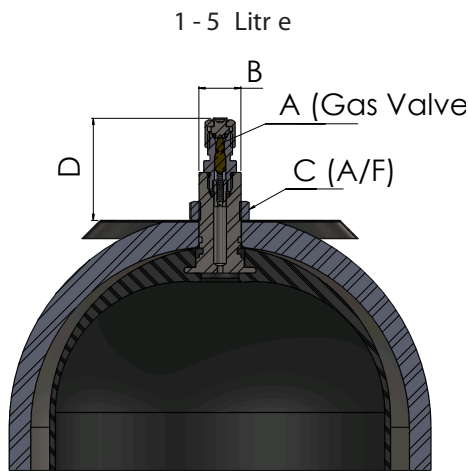


Example: 0502L-DP-691

Litres:	5
Bladder Material:	Nitrile Standard
Bladder Stem/ Gas Valve:	7/8"UNF SS Stem / 1/4" BSP SS HP Gas Valve
Shell & Fluid Port:	Stainless Steel / 1" BSP Female Special
Maximum working pressure:	690 bar
Design Number/ Approval:	Lloyds/CE

Capacities and Dimensions

Nominal Capacity Litres	Effective Gas vol. Litres	Work press. bar	Q Max (l/min)	Weight Dry Kilo	Dimensions in mm unless stated otherwise and subject to manufacturer's tolerances										
					A Inches	B Inches	C	D	E	F	G	H	J	K	L
1	1.1	690	240	9	See Below	7/8"UNF	33	69	376	239	122	68	See Page 5	48	45
3	2.4	690	240	15		7/8" UNF	33	69	551	414	122	68		48	45
5	5	690	240	29		7/8" UNF	33	69	900	763	122	68		48	45
12	9.4	690	749	97		M50x1.5P	69	166	768	518	261	84		82	77
12	9.4	760	749	97		M50x1.5P	69	166	768	518	261	84		82	77
20	18.8	690	749	134		M50x1.5P	69	166	978	728	261	84		82	77
20	18.8	760	749	134		M50x1.5P	69	166	978	728	261	84		82	77
37	35.2	690	749	227		M50x1.5P	69	166	1500	1250	261	84		82	77
37	35.2	760	749	227		M50x1.5P	69	166	1500	1250	261	84		82	77
54	49.2	690	749	318		M50x1.5P	69	166	2015	1765	261	84		82	77
54	49.2	760	749	318		M50x1.5P	69	166	2015	1765	261	84		82	77



Dimension A - Bladder Stem/Gas Valve

Code	1 - 5 Litre	12 - 54 Litre
2L	7/8"UNF SS Stem / 1/4"BSP SS HP Gas Valve	
5K		M50x1.5P SS Stem / 1/4"BSP SS HP Gas Valve

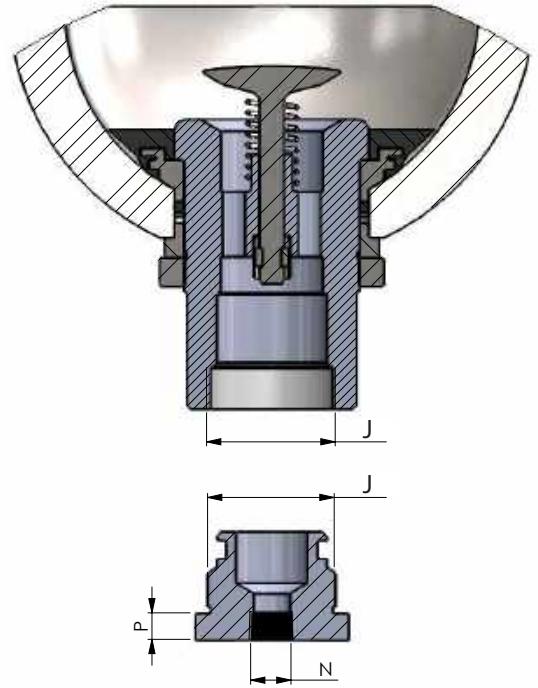
Dimension J - Shell and Fluid Port

Code	1 - 5 Litre	12 - 54 Litre
DP	Stainless Steel / 1"BSP Female Special	
DC		SS Externals/CS Internals / 2"BSP Female Special
DF		SS Externals/SS Internals / 2"BSP Female Special

Note: Dimensions are based on current stock and are subject to change without prior notice.

Fluid Port Adaptors

Nominal Capacity (Litres)	Dimensions			Part Number
	J	N	P (mm)	
1 - 5 litres	1"BSP	1/4"BSP	10	52799-XXX
	1"BSP	3/8" BSP	10	55456-XXX
	1"BSP	1/2" BSP	30	54260-XXX
	1"BSP	3/4" BSP	30	52762-XXX
	1"BSP	1/4" NPT	30	55712-XXX
	1"BSP	1/2" NPT	30	51059-XXX
	1"BSP	3/4" NPT	30	52113-XXX
	1"BSP	3/8"MP Autoclave	30	56002-XXX
	1"BSP	9/6"MP Autoclave	30	52722-XXX
12 - 54 litres	2"BSP	1/4"BSP	13	55374-XXX
	2" BSP	3/8"BSP	13	55375-XXX
	2" BSP	1/2"BSP	13	55376-XXX
	2" BSP	3/4"BSP	13	55377-XXX
	2" BSP	1/4"NPT	13	55369-XXX
	2" BSP	3/8"NPT	13	55370-XXX
	2" BSP	1/2"NPT	13	55371-XXX
	2" BSP	3/4"NPT	13	55372-XXX
	2" BSP	1/4"MP Autoclave	38	54116-XXX
	2" BSP	3/8"MP Autoclave	38	55873-XXX



Note: Dimensions are based on current stock and are subject to change without prior notice.



Contact Us

Tel: +44(0)191 549 7335

Email: hos@hos.co.uk

Web: www.hos.co.uk



in

f

