



Hydraulic &
Offshore Supplies

t: +44(0)191 549 7335

e: hose@hos.co.uk

w: www.hos.co.uk

GM 2-Way High Pressure Ball Valves




+ GM

2-WAY HIGH PRESSURE BALL VALVES




CARBON STEEL

- Type: ball valve GM 2way 
- Body: round
- Material: 1,0570/1,4404
- Ball seats: from DN6 up to DN100
- O-Rings: NBR, FKM, EPDM, MVQ
- Operating pressure: 50 Bar to 500 Bar S800 to S3000 PN depending on valve size and seal materials selected
- Fire safe BS 6755
- Antistatic device
- Temp range: -46°C to +250°C depending on seal material selected

GM	G 1/2			DN13	LF2	316L	POM	B		
Type and way of valve	GAS DIN/ISO 228 BSP	NPT ANSI/ASME B1.20.1	SW	SW EXTRALONG	PE	Nominal dimension	Body and adapter material	Stem and ball material	Ball seat material	Adapter and stem seal material
GM 2-way	G 1/4	N 1/4	SW 1/4	SWXT 1/4	PE 1/4	DN6			A POM	B NBR
	G 3/8	N 3/8	SW 3/8	SWXT 3/8	PE 3/8	DN10	LF2 1,0570	316L 1,4404	D PEEK	E FKM
	G 1/2	N 1/2	SW 1/2	SWXT 1/2	PE 1/2	DN13			C PTFE	F EPDM
	G 3/4	N 3/4	SW 3/4	SWXT 3/4	PE 3/4	DN20				L MVQ
	G 1	N 1	SW 1	SWXT 1	PE 1	DN25				
	G 1 1/4	N 1 1/4	SW 1 1/4	SWXT 1 1/4	PE 1 1/4	DN32				
	G 1 1/2	N 1 1/2	SW 1 1/2	SWXT 1 1/2	PE 1 1/2	DN40				
	G 2	N 2	SW 2	SWXT 2	PE 2	DN50				
	G 2 1/2	N 2 1/2	SW 2 1/2			DN65				
	G 3	N 3	SW 3			DN80				
	G 4	N 4	SW 4			DN100				

STAINLESS STEEL

- Type: ball valve GM 2way 
- Body: round
- Material: 1,4404
- Ball seats: from DN6 up to DN100
- O-Rings: NBR, FKM, EPDM, MVQ
- Operating pressure: 50 Bar to 500 Bar S800 to S3000 PN depending on valve size and seal materials selected
- Fire safe BS 6755
- Antistatic device
- Temp range: -30°C to +100°C different temperatures on request

GM	G 1/2			DN13	316L	316L	POM	B		
Type and way of valve	GAS DIN/ISO 228 BSP	NPT ANSI/ASME B1.20.1	SW	SW EXTRALONG	PE	Nominal dimension	Body and adapter material	Stem and ball material	Ball seat material	Adapter and stem seal material
GM 2-way	G 1/4	N 1/4	SW 1/4	SWXT 1/4	PE 1/4	DN6			A POM	B NBR
	G 3/8	N 3/8	SW 3/8	SWXT 3/8	PE 3/8	DN10	316L 1,4404	316L 1,4404	D PEEK	E FKM
	G 1/2	N 1/2	SW 1/2	SWXT 1/2	PE 1/2	DN13			C PTFE	F EPDM
	G 3/4	N 3/4	SW 3/4	SWXT 3/4	PE 3/4	DN20				L MVQ
	G 1	N 1	SW 1	SWXT 1	PE 1	DN25				
	G 1 1/4	N 1 1/4	SW 1 1/4	SWXT 1 1/4	PE 1 1/4	DN32				
	G 1 1/2	N 1 1/2	SW 1 1/2	SWXT 1 1/2	PE 1 1/2	DN40				
	G 2	N 2	SW 2	SWXT 2	PE 2	DN50				
	G 2 1/2	N 2 1/2	SW 2 1/2			DN65				
	G 3	N 3	SW 3			DN80				
	G 4	N 4	SW 4			DN100				

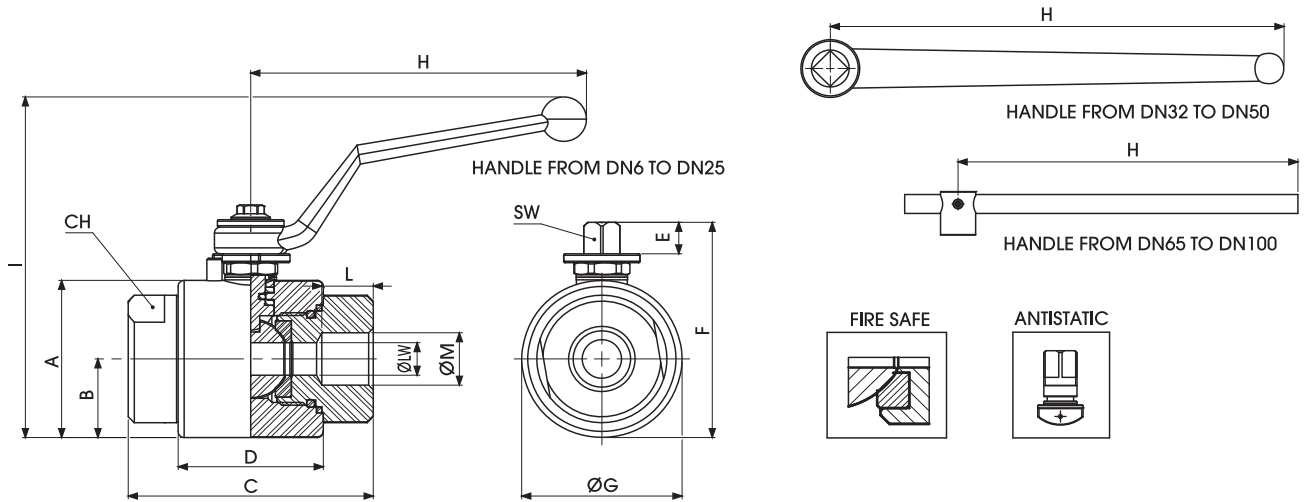


"The company reserves the right to operate dimensional changes without prior notice".



2-WAY HIGH PRESSURE BALL VALVES

Specialist in Ball Valves



GM DIN/ISO 228 BSP

Standard

TYPE	DN	A	B	C	D	E	F	ØG	H	I	L	ØM	CH	SW	ØLW	KG
GM G 1/4	6	-	23,5	72	44	10,5	66,5	47	110	109	15,5	G 1/4	32	9	6	0,869
GM G 3/8	10	-	23,5	72	44	10,5	66,5	47	110	109	15,5	G 3/8	32	9	10	0,844
GM G 1/2	13	-	26,5	81	48	10,5	72,5	53	110	115	17	G 1/2	38	9	13	1,151
GM G 3/4	20	-	31,5	98	62	14	90	63	180	122	21	G 3/4	48	14	20	2,109
GM G 1	25	-	36,5	106	66	14	99	73	180	133	24	G 1	55	14	25	2,872
GM G 1 1/4	32	-	42	127	83	14	111	84	300	120,5	25	G 1 1/4	65	17	32	4,557
GM G 1 1/2	40	-	49,5	135	89	14	126	99	300	134,5	25	G 1 1/2	80	17	40	6,482
GM G 2	50	-	56	160	101	14	132	104	300	140,5	27	G 2	90	17	50	7,966
GM G 2 1/2	65	140	70	174	105	23,5	176,5	150	600	226	32	G 2 1/2	110	19	65	17,506
GM G 3	80	155	77,5	191,5	114	23,5	191	167	600	241	32	G 3	125	19	80	22,896
GM G 4	100	188	94	230	148	31	231,5	200	600	278,5	40	G 4	150	19	100	36,999



2-WAY HIGH PRESSURE BALL VALVES

www.gemels.it

(POM seal)

GM DIN/ISO 228 PN

DN	PN	GM DIN/ISO 228 PN	
		CARBON STEEL	STAINLESS STEEL
DN	PN	ITEM CODE	ITEM CODE
6	500	GM2GGT15024A000	GM2GGT15044A000
10	500	GM2GGT25024A000	GM2GGT25044A000
13	500	GM2GGT35024A000	GM2GGT35044A000
20	400	GM2GGT44024A000	GM2GGT44044A000
25	350	GM2GGT53024A000	GM2GGT53044A000
32	350	GM2GGT63024A000	GM2GGT63044A000
40	350	GM2GGT73024A000	GM2GGT73044A000
50	350	GM2GGT83024A000	GM2GGT83044A000
65	150	GM2GGT9C024A000	GM2GGT9C044A000
80	100	GM2GGTA1024A000	GM2GGTA1044A000
100	50	GM2GGTB1024A000	GM2GGTB1044A000

(POM seal)

GM DIN/ISO 228 S3000

DN	PN	GM DIN/ISO 228 S3000	
		CARBON STEEL	STAINLESS STEEL
DN	PN	ITEM CODE	ITEM CODE
6	S3000	GM2GGT1F024A000	GM2GGT1F044A000
10	S3000	GM2GGT2F024A000	GM2GGT2F044A000
13	S3000	GM2GGT3F024A000	GM2GGT3F044A000
20	S3000	GM2GGT4F024A000	GM2GGT4F044A000
25	S3000	GM2GGT5F024A000	GM2GGT5F044A000
32	S3000	GM2GGT6F024A000	GM2GGT6F044A000
40	S3000	GM2GGT7F024A000	GM2GGT7F044A000
50	S3000	GM2GGT8F024A000	GM2GGT8F044A000
65	S3000 (15 Mpa)	GM2GGT9F024A000	GM2GGT9F044A000
80	S3000 (10 Mpa)	GM2GGTAF024A000	GM2GGTAF044A000
100	S3000 (5 Mpa)	GM2GGTBF024A000	GM2GGTBF044A000

(PEEK seal)

GM DIN/ISO 228 PN

DN	PN	GM DIN/ISO 228 PN	
		CARBON STEEL	STAINLESS STEEL
DN	PN	ITEM CODE	ITEM CODE
6	500	GM2GGT15024P000	GM2GGT15044P000
10	500	GM2GGT25024P000	GM2GGT25044P000
13	500	GM2GGT35024P000	GM2GGT35044P000
20	400	GM2GGT44024P000	GM2GGT44044P000
25	350	GM2GGT53024P000	GM2GGT53044P000
32	350	GM2GGT63024P000	GM2GGT63044P000
40	350	GM2GGT73024P000	GM2GGT73044P000
50	350	GM2GGT83024P000	GM2GGT83044P000
65	150	GM2GGT9C024P000	GM2GGT9C044P000
80	100	GM2GGTA1024P000	GM2GGTA1044P000
100	50	GM2GGTB1024P000	GM2GGTB1044P000

(PEEK seal)

GM DIN/ISO 228 S3000

DN	PN	GM DIN/ISO 228 S3000	
		CARBON STEEL	STAINLESS STEEL
DN	PN	ITEM CODE	ITEM CODE
6	S3000	GM2GGT1F024P000	GM2GGT1F044P000
10	S3000	GM2GGT2F024P000	GM2GGT2F044P000
13	S3000	GM2GGT3F024P000	GM2GGT3F044P000
20	S3000	GM2GGT4F024P000	GM2GGT4F044P000
25	S3000	GM2GGT5F024P000	GM2GGT5F044P000
32	S3000	GM2GGT6F024P000	GM2GGT6F044P000
40	S3000	GM2GGT7F024P000	GM2GGT7F044P000
50	S3000	GM2GGT8F024P000	GM2GGT8F044P000
65	S3000 (15 Mpa)	GM2GGT9F024P000	GM2GGT9F044P000
80	S3000 (10 Mpa)	GM2GGTAF024P000	GM2GGTAF044P000
100	S3000 (5 Mpa)	GM2GGTBF024P000	GM2GGTBF044P000

(PTFE seal)

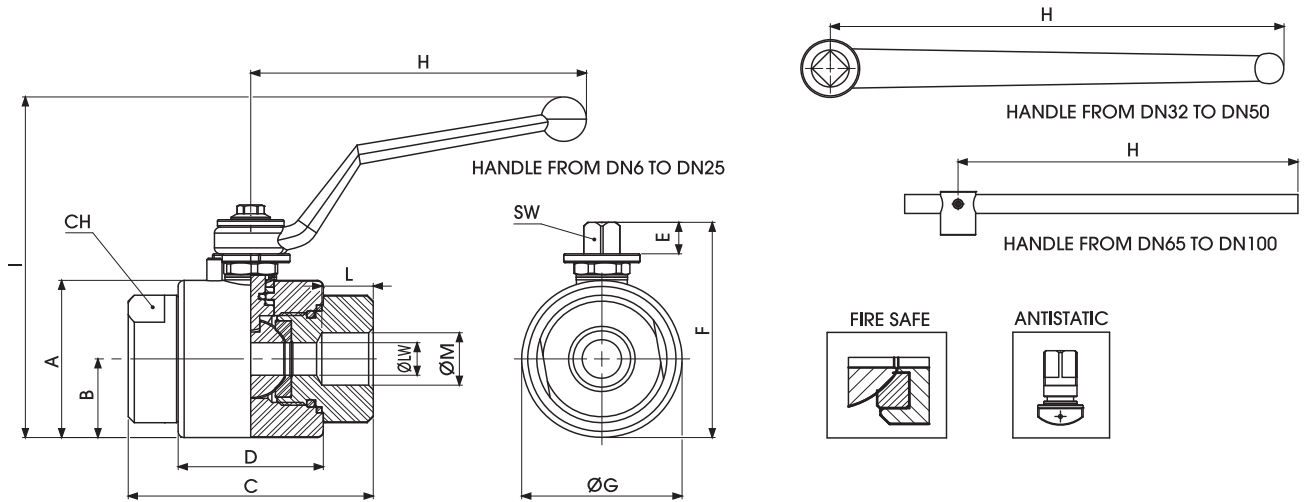
GM DIN/ISO 228 S800

DN	PN	GM DIN/ISO 228 S800	
		CARBON STEEL	STAINLESS STEEL
DN	PN	ITEM CODE	ITEM CODE
6	S800	GM2GGT1A024F000	GM2GGT1A044F000
10	S800	GM2GGT2A024F000	GM2GGT2A044F000
13	S800	GM2GGT3A024F000	GM2GGT3A044F000
20	S800	GM2GGT4A024F000	GM2GGT4A044F000
25	S800	GM2GGT5A024F000	GM2GGT5A044F000
32	S800	GM2GGT6A024F000	GM2GGT6A044F000
40	S800	GM2GGT7A024F000	GM2GGT7A044F000
50	S800	GM2GGT8A024F000	GM2GGT8A044F000
65	S800	GM2GGT9A024F000	GM2GGT9A044F000
80	S800	GM2GGTAA024F000	GM2GGTAA044F000
100	S800	GM2GGTBA024F000	GM2GGTBA044F000



2-WAY HIGH PRESSURE BALL VALVES

Specialist in Ball Valves



GM ANSI/ASME B1.20.1 NPT

Standard

TYPE	DN	A	B	C	D	E	F	ØG	H	I	L	ØM	CH	SW	ØLW	KG
GM N 1/4	6	-	23,5	72	44	10,5	66,5	47	110	109	17	N 1/4	32	9	6	0,869
GM N 3/8	10	-	23,5	72	44	10,5	66,5	47	110	109	17	N 3/8	32	9	10	0,844
GM N 1/2	13	-	26,5	81	48	10,5	72,5	53	110	115	21	N 1/2	38	9	13	1,151
GM N 3/4	20	-	31,5	98	62	14	90	63	180	122	21	N 3/4	48	14	20	2,109
GM N 1	25	-	36,5	106	66	14	99	73	180	133	24	N 1	55	14	25	2,872
GM N 1 1/4	32	-	42	127	83	14	111	84	300	120,5	25	N 1 1/4	65	17	32	4,557
GM N 1 1/2	40	-	49,5	135	89	14	126	99	300	134,5	25	N 1 1/2	80	17	40	6,482
GM N 2	50	-	56	160	101	14	132	104	300	140,5	27	N 2	90	17	50	7,966
GM N 2 1/2	65	140	70	174	105	23,5	176,5	150	600	226	32	N 2 1/2	110	19	65	17,506
GM N 3	80	155	77,5	191,5	114	23,5	191	167	600	241	32	N 3	125	19	80	22,896
GM N 4	100	188	94	230	148	31	231,5	200	600	278,5	40	N 4	150	19	100	36,999



2-WAY HIGH PRESSURE BALL VALVES

www.gemels.it

(POM seal) GM ANSI/ASME B1.20.1 NPT PN

DN	PN	CARBON STEEL	STAINLESS STEEL
		ITEM CODE	ITEM CODE
6	500	GM2NNT15024A000	GM2NNT15044A000
10	500	GM2NNT25024A000	GM2NNT25044A000
13	500	GM2NNT35024A000	GM2NNT35044A000
20	400	GM2NNT44024A000	GM2NNT44044A000
25	350	GM2NNT53024A000	GM2NNT53044A000
32	350	GM2NNT63024A000	GM2NNT63044A000
40	350	GM2NNT73024A000	GM2NNT73044A000
50	350	GM2NNT83024A000	GM2NNT83044A000
65	150	GM2NNT9C024A000	GM2NNT9C044A000
80	100	GM2NNTA1024A000	GM2NNTA1044A000
100	50	GM2NNTBI024A000	GM2NNTBI044A000

(POM seal) GM ANSI/ASME B1.20.1 NPT S3000

DN	PN	CARBON STEEL	STAINLESS STEEL
		ITEM CODE	ITEM CODE
6	S3000	GM2NNT1F024A000	GM2NNT1F044A000
10	S3000	GM2NNT2F024A000	GM2NNT2F044A000
13	S3000	GM2NNT3F024A000	GM2NNT3F044A000
20	S3000	GM2NNT4F024A000	GM2NNT4F044A000
25	S3000	GM2NNT5F024A000	GM2NNT5F044A000
32	S3000	GM2NNT6F024A000	GM2NNT6F044A000
40	S3000	GM2NNT7F024A000	GM2NNT7F044A000
50	S3000	GM2NNT8F024A000	GM2NNT8F044A000
65	S3000 (15 Mpa)	GM2NNT9F024A000	GM2NNT9F044A000
80	S3000 (10 Mpa)	GM2NNTAF024A000	GM2NNTAF044A000
100	S3000 (5 Mpa)	GM2NNTBF024A000	GM2NNTBF044A000

(PEEK seal) GM ANSI/ASME B1.20.1 NPT PN

DN	PN	CARBON STEEL	STAINLESS STEEL
		ITEM CODE	ITEM CODE
6	500	GM2NNT15024P000	GM2NNT15044P000
10	500	GM2NNT25024P000	GM2NNT25044P000
13	500	GM2NNT35024P000	GM2NNT35044P000
20	400	GM2NNT44024P000	GM2NNT44044P000
25	350	GM2NNT53024P000	GM2NNT53044P000
32	350	GM2NNT63024P000	GM2NNT63044P000
40	350	GM2NNT73024P000	GM2NNT73044P000
50	350	GM2NNT83024P000	GM2NNT83044P000
65	150	GM2NNT9C024P000	GM2NNT9C044P000
80	100	GM2NNTA1024P000	GM2NNTA1044P000
100	50	GM2NNTBI024P000	GM2NNTBI044P000

(PEEK seal) GM ANSI/ASME B1.20.1 NPT S3000

DN	PN	CARBON STEEL	STAINLESS STEEL
		ITEM CODE	ITEM CODE
6	S3000	GM2NNT1F024P000	GM2NNT1F044P000
10	S3000	GM2NNT2F024P000	GM2NNT2F044P000
13	S3000	GM2NNT3F024P000	GM2NNT3F044P000
20	S3000	GM2NNT4F024P000	GM2NNT4F044P000
25	S3000	GM2NNT5F024P000	GM2NNT5F044P000
32	S3000	GM2NNT6F024P000	GM2NNT6F044P000
40	S3000	GM2NNT7F024P000	GM2NNT7F044P000
50	S3000	GM2NNT8F024P000	GM2NNT8F044P000
65	S3000 (15 Mpa)	GM2NNT9F024P000	GM2NNT9F044P000
80	S3000 (10 Mpa)	GM2NNTAF024P000	GM2NNTAF044P000
100	S3000 (5 Mpa)	GM2NNTBF024P000	GM2NNTBF044P000

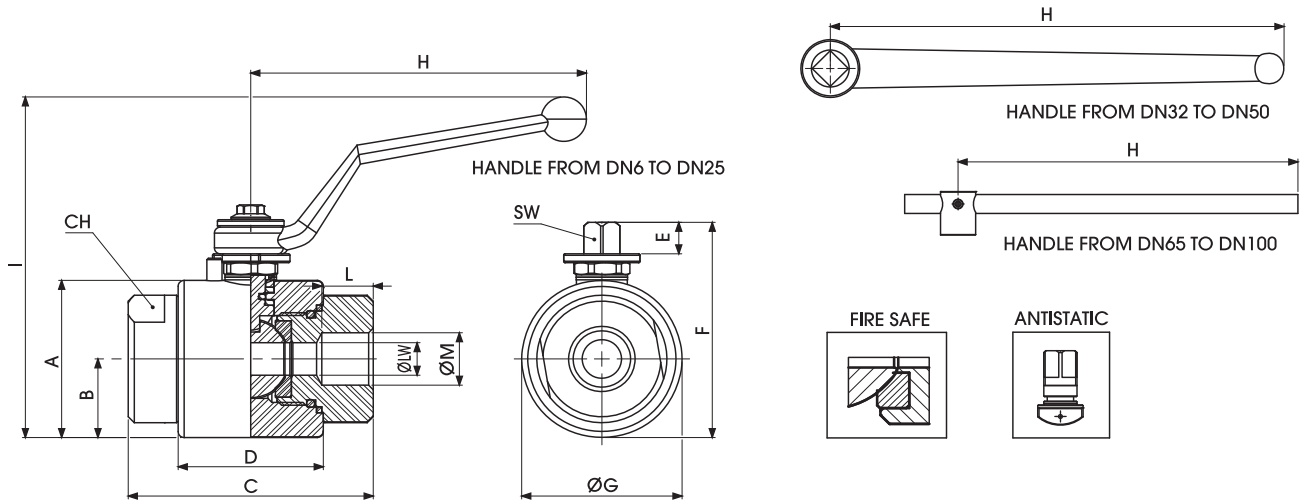
(PTFE seal) GM ANSI/ASME B1.20.1 NPT S800

DN	PN	CARBON STEEL	STAINLESS STEEL
		ITEM CODE	ITEM CODE
6	S800	GM2NNT1A024F000	GM2NNT1A044F000
10	S800	GM2NNT2A024F000	GM2NNT2A044F000
13	S800	GM2NNT3A024F000	GM2NNT3A044F000
20	S800	GM2NNT4A024F000	GM2NNT4A044F000
25	S800	GM2NNT5A024F000	GM2NNT5A044F000
32	S800	GM2NNT6A024F000	GM2NNT6A044F000
40	S800	GM2NNT7A024F000	GM2NNT7A044F000
50	S800	GM2NNT8A024F000	GM2NNT8A044F000
65	S800	GM2NNT9A024F000	GM2NNT9A044F000
80	S800	GM2NNTAA024F000	GM2NNTAA044F000
100	S800	GM2NNTBA024F000	GM2NNTBA044F000



2-WAY HIGH PRESSURE BALL VALVES

Specialist in Ball Valves



GM SW

Standard

TYPE	DN	A	B	C	D	E	F	ØG	H	I	L	ØM	CH	SW	ØLW	KG
GM SW 1/4	6	-	23,5	72	44	10,5	66,5	47	110	109	11,1	14,1	32	9	6	0,869
GM SW 3/8	10	-	23,5	72	44	10,5	66,5	47	110	109	11,1	17,53	32	9	10	0,844
GM SW 1/2	13	-	26,5	81	48	10,5	72,5	53	110	115	12,7	21,72	38	9	13	1,151
GM SW 3/4	20	-	31,5	98	62	14	90	63	180	122	15	27,05	48	14	20	2,109
GM SW 1	25	-	36,5	106	66	14	99	73	180	133	16	33,78	55	14	25	2,872
GM SW 1 1/4	32	-	42	127	83	14	111	84	300	120,5	17,5	42,7	65	17	32	4,557
GM SW 1 1/2	40	-	49,5	135	89	14	126	99	300	134,5	19	48,64	80	17	40	6,482
GM SW 2	50	-	56	160	101	14	132	104	300	140,5	22	61,2	90	17	50	7,966
GM SW 2 1/2	65	140	70	174	105	23,5	176,5	150	600	226	30	73,9	110	19	65	17,506
GM SW 3	80	155	77,5	191,5	114	23,5	191	167	600	241	30	89,8	125	19	80	22,896
GM SW 4	100	188	94	230	148	31	231,5	200	600	278,5	30	115,2	150	19	100	36,999



2-WAY HIGH PRESSURE BALL VALVES

www.gemels.it

(POM seal)

GM SW PN

DN	PN	GM SW PN	
		CARBON STEEL	STAINLESS STEEL
DN	PN	ITEM CODE	ITEM CODE
6	500	GM2TTT15024A000	GM2TTT15044A000
10	500	GM2TTT25024A000	GM2TTT25044A000
13	500	GM2TTT35024A000	GM2TTT35044A000
20	400	GM2TTT44024A000	GM2TTT44044A000
25	350	GM2TTT53024A000	GM2TTT53044A000
32	350	GM2TTT63024A000	GM2TTT63044A000
40	350	GM2TTT73024A000	GM2TTT73044A000
50	350	GM2TTT83024A000	GM2TTT83044A000
65	150	GM2TTT9C024A000	GM2TTT9C044A000
80	100	GM2TTTA1024A000	GM2TTTA1044A000
100	50	GM2TTTB1024A000	GM2TTTB1044A000

(POM seal)

GM SW S3000

DN	PN	GM SW S3000	
		CARBON STEEL	STAINLESS STEEL
DN	PN	ITEM CODE	ITEM CODE
6	S3000	GM2TTT1F024A000	GM2TTT1F044A000
10	S3000	GM2TTT2F024A000	GM2TTT2F044A000
13	S3000	GM2TTT3F024A000	GM2TTT3F044A000
20	S3000	GM2TTT4F024A000	GM2TTT4F044A000
25	S3000	GM2TTT5F024A000	GM2TTT5F044A000
32	S3000	GM2TTT6F024A000	GM2TTT6F044A000
40	S3000	GM2TTT7F024A000	GM2TTT7F044A000
50	S3000	GM2TTT8F024A000	GM2TTT8F044A000
65	S3000 (15 Mpa)	GM2TTT9F024A000	GM2TTT9F044A000
80	S3000 (10 Mpa)	GM2TTTAF024A000	GM2TTTAF044A000
100	S3000 (5 Mpa)	GM2TTTB024A000	GM2TTTB044A000

(PEEK seal)

GM SW PN

DN	PN	GM SW PN	
		CARBON STEEL	STAINLESS STEEL
DN	PN	ITEM CODE	ITEM CODE
6	500	GM2TTT15024P000	GM2TTT15044P000
10	500	GM2TTT25024P000	GM2TTT25044P000
13	500	GM2TTT35024P000	GM2TTT35044P000
20	400	GM2TTT44024P000	GM2TTT44044P000
25	350	GM2TTT53024P000	GM2TTT53044P000
32	350	GM2TTT63024P000	GM2TTT63044P000
40	350	GM2TTT73024P000	GM2TTT73044P000
50	350	GM2TTT83024P000	GM2TTT83044P000
65	150	GM2TTT9C024P000	GM2TTT9C044P000
80	100	GM2TTTA1024P000	GM2TTTA1044P000
100	50	GM2TTTB1024P000	GM2TTTB1044P000

(PEEK seal)

GM SW S3000

DN	PN	GM SW S3000	
		CARBON STEEL	STAINLESS STEEL
DN	PN	ITEM CODE	ITEM CODE
6	S3000	GM2TTT1F024P000	GM2TTT1F044P000
10	S3000	GM2TTT2F024P000	GM2TTT2F044P000
13	S3000	GM2TTT3F024P000	GM2TTT3F044P000
20	S3000	GM2TTT4F024P000	GM2TTT4F044P000
25	S3000	GM2TTT5F024P000	GM2TTT5F044P000
32	S3000	GM2TTT6F024P000	GM2TTT6F044P000
40	S3000	GM2TTT7F024P000	GM2TTT7F044P000
50	S3000	GM2TTT8F024P000	GM2TTT8F044P000
65	S3000 (15 Mpa)	GM2TTT9F024P000	GM2TTT9F044P000
80	S3000 (10 Mpa)	GM2TTTAF024P000	GM2TTTAF044P000
100	S3000 (5 Mpa)	GM2TTTB024P000	GM2TTTB044P000

(PTFE seal)

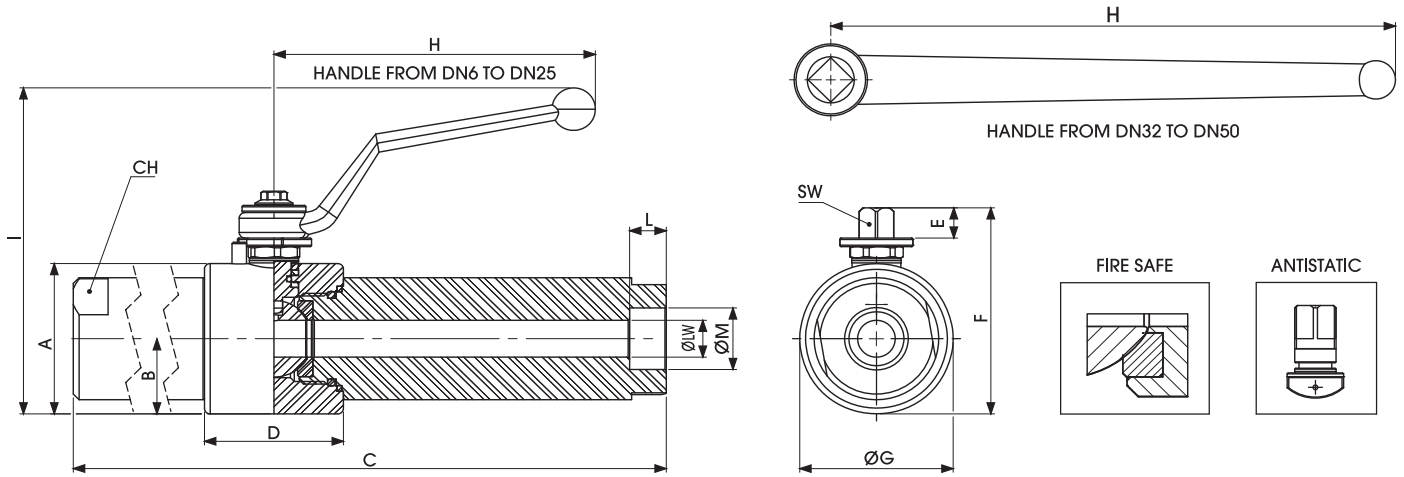
GM SW S800

DN	PN	GM SW S800	
		CARBON STEEL	STAINLESS STEEL
DN	PN	ITEM CODE	ITEM CODE
6	S800	GM2TTT1A024F000	GM2TTT1A044F000
10	S800	GM2TTT2A024F000	GM2TTT2A044F000
13	S800	GM2TTT3A024F000	GM2TTT3A044F000
20	S800	GM2TTT4A024F000	GM2TTT4A044F000
25	S800	GM2TTT5A024F000	GM2TTT5A044F000
32	S800	GM2TTT6A024F000	GM2TTT6A044F000
40	S800	GM2TTT7A024F000	GM2TTT7A044F000
50	S800	GM2TTT8A024F000	GM2TTT8A044F000



2-WAY HIGH PRESSURE BALL VALVES

Specialist in Ball Valves



GM SW EXTRALONG

Standard

TYPE	DN	A	B	C	D	E	F	ØG	H	I	L	ØM	CH	SW	ØLW	KG
GM SWXT 1/4	6	-	23,5	262	44	10,5	66,5	47	110	109	11,1	14,1	32	9	6	2,529
GM SWXT 3/8	10	-	23,5	262	44	10,5	66,5	47	110	109	11,1	17,53	32	9	10	2,427
GM SWXT 1/2	13	-	26,5	271	48	10,5	72,5	53	110	115	12,7	21,72	38	9	13	3,126
GM SWXT 3/4	20	-	31,5	288	62	14	90	63	180	122	15	27,05	48	14	20	5,056
GM SWXT 1	25	-	36,5	296	66	14	99	73	180	133	16	33,78	55	14	25	6,956
GM SWXT 1 1/4	32	-	42	318	83	14	111	84	300	120,5	17,5	42,7	65	17	32	9,83
GM SWXT 1 1/2	40	-	49,5	325	89	14	126	99	300	134,5	19	48,64	80	17	40	13,883
GM SWXT 2	50	-	56	350	101	14	132	104	300	140,5	22	61,2	90	17	50	16,773



2-WAY HIGH PRESSURE BALL VALVES

www.gemels.it

(POM seal) GM SW EXTRALONG PN

DN	PN	GM SW EXTRALONG PN	
		CARBON STEEL	STAINLESS STEEL
DN	PN	ITEM CODE	ITEM CODE
6	500	GM2TXT15024A000	GM2TXT15044A000
10	500	GM2TXT25024A000	GM2TXT25044A000
13	500	GM2TXT35024A000	GM2TXT35044A000
20	400	GM2TXT44024A000	GM2TXT44044A000
25	350	GM2TXT53024A000	GM2TXT53044A000
32	350	GM2TXT63024A000	GM2TXT63044A000
40	350	GM2TXT73024A000	GM2TXT73044A000
50	350	GM2TXT83024A000	GM2TXT83044A000

(POM seal) GM SW EXTRALONG S3000

DN	PN	GM SW EXTRALONG S3000	
		CARBON STEEL	STAINLESS STEEL
DN	PN	ITEM CODE	ITEM CODE
6	S3000	GM2TXT1F024A000	GM2TXT1F044A000
10	S3000	GM2TXT2F024A000	GM2TXT2F044A000
13	S3000	GM2TXT3F024A000	GM2TXT3F044A000
20	S3000	GM2TXT4F024A000	GM2TXT4F044A000
25	S3000	GM2TXT5F024A000	GM2TXT5F044A000
32	S3000	GM2TXT6F024A000	GM2TXT6F044A000
40	S3000	GM2TXT7F024A000	GM2TXT7F044A000
50	S3000	GM2TXT8F024A000	GM2TXT8F044A000

(PEEK seal) GM SW EXTRALONG PN

DN	PN	GM SW EXTRALONG PN	
		CARBON STEEL	STAINLESS STEEL
DN	PN	ITEM CODE	ITEM CODE
6	500	GM2TXT15024P000	GM2TXT15044P000
10	500	GM2TXT25024P000	GM2TXT25044P000
13	500	GM2TXT35024P000	GM2TXT35044P000
20	400	GM2TXT44024P000	GM2TXT44044P000
25	350	GM2TXT53024P000	GM2TXT53044P000
32	350	GM2TXT63024P000	GM2TXT63044P000
40	350	GM2TXT73024P000	GM2TXT73044P000
50	350	GM2TXT83024P000	GM2TXT83044P000

(PEEK seal) GM SW EXTRALONG S3000

DN	PN	GM SW EXTRALONG S3000	
		CARBON STEEL	STAINLESS STEEL
DN	PN	ITEM CODE	ITEM CODE
6	S3000	GM2TXT1F024P000	GM2TXT1F044P000
10	S3000	GM2TXT2F024P000	GM2TXT2F044P000
13	S3000	GM2TXT3F024P000	GM2TXT3F044P000
20	S3000	GM2TXT4F024P000	GM2TXT4F044P000
25	S3000	GM2TXT5F024P000	GM2TXT5F044P000
32	S3000	GM2TXT6F024P000	GM2TXT6F044P000
40	S3000	GM2TXT7F024P000	GM2TXT7F044P000
50	S3000	GM2TXT8F024P000	GM2TXT8F044P000

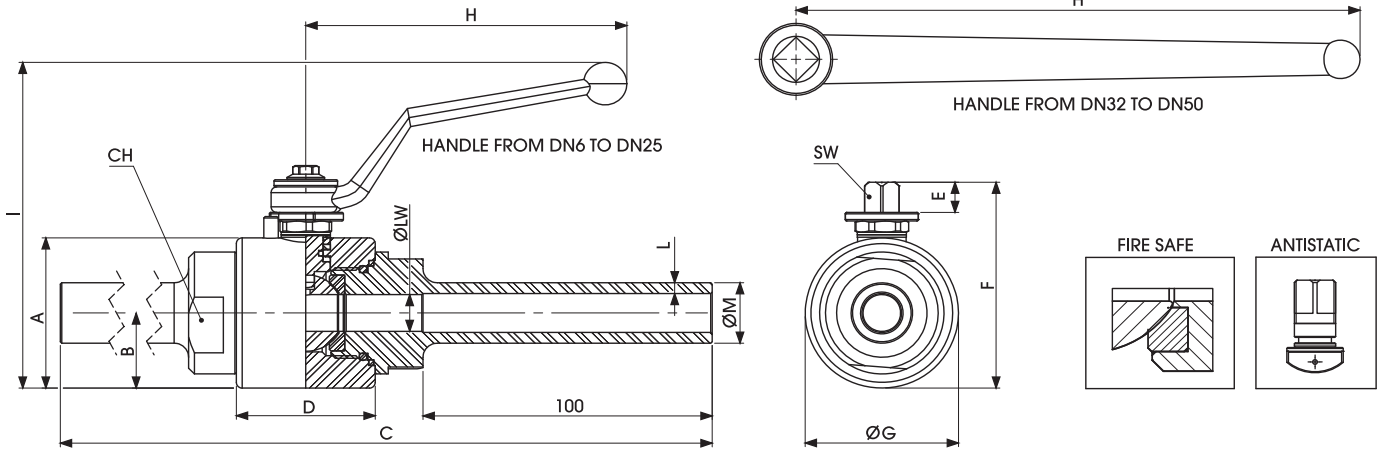
(PTFE seal) GM SW EXTRALONG S800

DN	PN	GM SW EXTRALONG S800	
		CARBON STEEL	STAINLESS STEEL
DN	PN	ITEM CODE	ITEM CODE
6	S800	GM2TXT1A024F000	GM2TXT1A044F000
10	S800	GM2TXT2A024F000	GM2TXT2A044F000
13	S800	GM2TXT3A024F000	GM2TXT3A044F000
20	S800	GM2TXT4A024F000	GM2TXT4A044F000
25	S800	GM2TXT5A024F000	GM2TXT5A044F000
32	S800	GM2TXT6A024F000	GM2TXT6A044F000
40	S800	GM2TXT7A024F000	GM2TXT7A044F000
50	S800	GM2TXT8A024F000	GM2TXT8A044F000



2-WAY HIGH PRESSURE BALL VALVES

Specialist in Ball Valves



GM PE

Standard

TYPE	DN	A	B	C	D	E	F	ØG	H	I	L SCH80	ØM	CH	SW	ØLW	KG
GM PE 1/4	6	-	23,5	272	44	10,5	66,5	47	110	109	3,02	13,7	32	9	6	1,054
GM PE 3/8	10	-	23,5	272	44	10,5	66,5	47	110	109	3,2	17,1	32	9	10	1,093
GM PE 1/2	13	-	26,5	281	48	10,5	72,5	53	110	115	3,73	21,3	38	9	13	1,528
GM PE 3/4	20	-	31,5	298	62	14	90	63	180	122	3,91	26,7	48	14	20	2,63
GM PE 1	25	-	36,5	306	66	14	99	73	180	133	4,55	33,4	55	14	25	3,646
GM PE 1 1/4	32	-	42	327	83	14	111	84	300	120,5	4,85	42,2	65	17	32	5,638
GM PE 1 1/2	40	-	49,5	335	89	14	126	99	300	134,5	5,08	48,3	80	17	40	7,73
GM PE 2	50	-	56	360	101	14	132	104	300	140,5	5,54	60,3	90	17	50	9,827



2-WAY HIGH PRESSURE BALL VALVES

www.gemels.it

(POM seal) GM PE PN

DN	PN	GM PE PN	
		CARBON STEEL	STAINLESS STEEL
DN	PN	ITEM CODE	ITEM CODE
6	500	GM2BWT15024A000	GM2BWT15044A000
10	500	GM2BWT25024A000	GM2BWT25044A000
13	500	GM2BWT35024A000	GM2BWT35044A000
20	400	GM2BWT44024A000	GM2BWT44044A000
25	350	GM2BWT53024A000	GM2BWT53044A000
32	350	GM2BWT63024A000	GM2BWT63044A000
40	350	GM2BWT73024A000	GM2BWT73044A000
50	350	GM2BWT83024A000	GM2BWT83044A000

(POM seal) GM PE S3000

DN	PN	GM PE S3000	
		CARBON STEEL	STAINLESS STEEL
DN	PN	ITEM CODE	ITEM CODE
6	S3000	GM2BWT1F024A000	GM2BWT1F044A000
10	S3000	GM2BWT2F024A000	GM2BWT2F044A000
13	S3000	GM2BWT3F024A000	GM2BWT3F044A000
20	S3000	GM2BWT4F024A000	GM2BWT4F044A000
25	S3000	GM2BWT5F024A000	GM2BWT5F044A000
32	S3000	GM2BWT6F024A000	GM2BWT6F044A000
40	S3000	GM2BWT7F024A000	GM2BWT7F044A000
50	S3000	GM2BWT8F024A000	GM2BWT8F044A000

(PEEK seal) GM PE PN

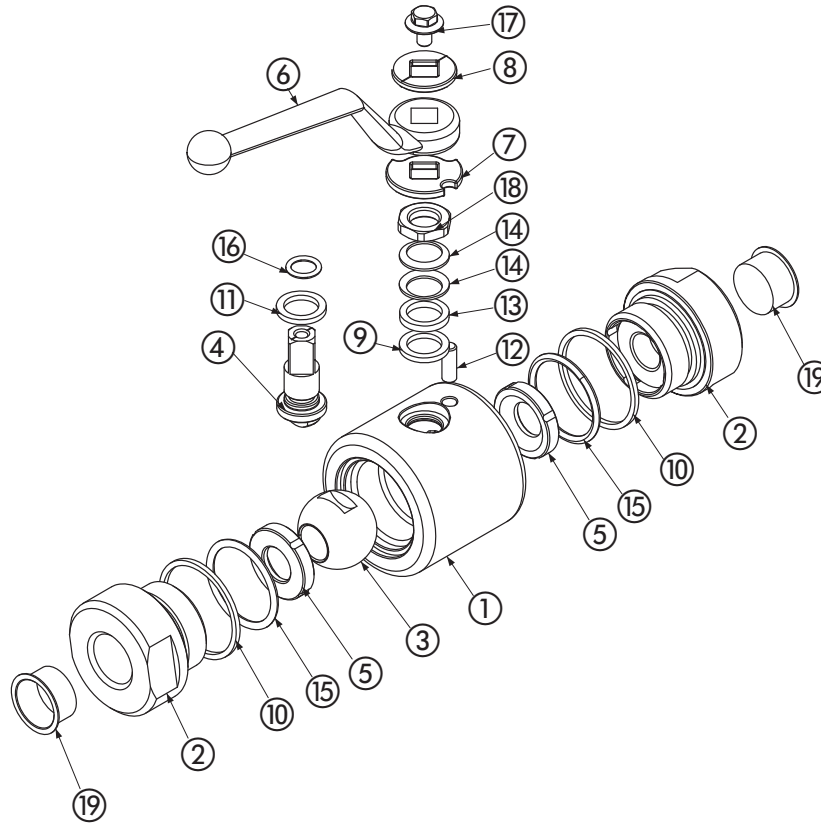
DN	PN	GM PE PN	
		CARBON STEEL	STAINLESS STEEL
DN	PN	ITEM CODE	ITEM CODE
6	500	GM2BWT15024P000	GM2BWT15044P000
10	500	GM2BWT25024P000	GM2BWT25044P000
13	500	GM2BWT35024P000	GM2BWT35044P000
20	400	GM2BWT44024P000	GM2BWT44044P000
25	350	GM2BWT53024P000	GM2BWT53044P000
32	350	GM2BWT63024P000	GM2BWT63044P000
40	350	GM2BWT73024P000	GM2BWT73044P000
50	350	GM2BWT83024P000	GM2BWT83044P000

(PEEK seal) GM PE S3000

DN	PN	GM PE S3000	
		CARBON STEEL	STAINLESS STEEL
DN	PN	ITEM CODE	ITEM CODE
6	S3000	GM2BWT1F024P000	GM2BWT1F044P000
10	S3000	GM2BWT2F024P000	GM2BWT2F044P000
13	S3000	GM2BWT3F024P000	GM2BWT3F044P000
20	S3000	GM2BWT4F024P000	GM2BWT4F044P000
25	S3000	GM2BWT5F024P000	GM2BWT5F044P000
32	S3000	GM2BWT6F024P000	GM2BWT6F044P000
40	S3000	GM2BWT7F024P000	GM2BWT7F044P000
50	S3000	GM2BWT8F024P000	GM2BWT8F044P000

(PTFE seal) GM PE S800

DN	PN	GM PE S800	
		CARBON STEEL	STAINLESS STEEL
DN	PN	ITEM CODE	ITEM CODE
6	S800	GM2BWT1A024F000	GM2BWT1A044F000
10	S800	GM2BWT2A024F000	GM2BWT2A044F000
13	S800	GM2BWT3A024F000	GM2BWT3A044F000
20	S800	GM2BWT4A024F000	GM2BWT4A044F000
25	S800	GM2BWT5A024F000	GM2BWT5A044F000
32	S800	GM2BWT6A024F000	GM2BWT6A044F000
40	S800	GM2BWT7A024F000	GM2BWT7A044F000
50	S800	GM2BWT8A024F000	GM2BWT8A044F000



Carbon steel

Pos	Description	Material	Q.tà
1	Body	1,0570	1
2	Adapter	1,0570	2
3	Ball	1,4404	1
4	Stem	1,4404	1
5	Ball Seat	PTFE	2
6	Handle	1,0116	1
7	Washer	1,4301	1
8	Washer	1,4301	1
9	Body ring	GRAPHITE	1
10	Adapter ring	GRAPHITE	2
11	Stem ring	PTFE	2
12	Spine	1,4301	1
13	Press ring	1,4301	1
14	Spring	1,4301	2
15	Adapter o-ring	NBR	2
16	Stem o-ring	NBR	1
17	Screw	DIN6921 A2	1
18	Nut	1,4301	1
19	Caps	PVC	2

- On request**
- Reduced bore
 - O-Ring in FKM, EPDM, HNBR, KALREZ
 - Seals in PTFE, PEEK, PA612, GEMPTFE, METAL TO METAL
 - Special threads
 - Pressure class up to PN500 or 3000 Psi
 - Locking device

For further special requests please consult our technical/commercial service

Stainless steel

Pos	Description	Material	Q.tà
1	Body	1,4404	1
2	Adapter	1,4404	2
3	Ball	1,4404	1
4	Stem	1,4404	1
5	Ball Seat	PTFE	2
6	Handle	1,0116	1
7	Washer	1,4301	1
8	Washer	1,4301	1
9	Body ring	GRAPHITE	1
10	Adapter ring	GRAPHITE	2
11	Stem ring	PTFE	2
12	Spine	1,4301	1
13	Press ring	1,4301	1
14	Spring	1,4301	2
15	Adapter o-ring	NBR	2
16	Stem o-ring	NBR	1
17	Screw	DIN6921 A2	1
18	Nut	1,4301	1
19	Caps	PVC	2

- On request**
- Reduced bore
 - O-Ring in FKM, EPDM, HNBR, KALREZ
 - Seals in PTFE, PEEK, PA612, GEMPTFE, METAL TO METAL
 - Special threads
 - Pressure class up to PN500 or 3000 Psi
 - Locking device



Contact Us

Tel: +44(0)191 549 7335

Email: hos@hos.co.uk

Web: www.hos.co.uk

