



Hydraulic &
Offshore Supplies

t: +44(0)191 549 7335

e: hose@hos.co.uk

w: www.hos.co.uk

GM1 2-Way High Pressure Ball Valves




+ GM1

2-WAY HIGH PRESSURE BALL VALVES



CARBON STEEL

- Type: ball valve GM1 2way 
- Body: round
- Material: 1,0570/1,4404
- Ball seats: from DN6 up to DN25
- O-Rings: NBR, FKM, EPDM, MVQ
- Operating pressure: 50 Bar to 500 Bar S800 to S6000 PN depending on valve size and seal materials selected
- Fire safe BS 6755
- Antistatic device
- Temp range: -46°C to +250°C depending on seal material selected

GM1

G 1/2

DN13

LF2


316L

POM

B

Type and way of valve	GAS DIN/ISO 228 BSP	NPT ANSI/ASME B1.20.1	Nominal dimension	Body and adapter material	Stem and ball material	Ball seat material	Adapter and stem seal material
GM1 2-way	G 1/4 G 3/8 G 1/2 G 3/4 G 1	N 1/4 N 3/8 N 1/2 N 3/4 N 1	DN6 DN10 DN13 DN20 DN25	LF2 1,0570	316L 1,4404	A POM D PEEK C PTFE	B NBR E FKM F EPDM L MVQ

STAINLESS STEEL

- Type: ball valve GM1 2way 
- Body: round
- Material: 1,4404
- Ball seats: from DN6 up to DN25
- O-Rings: NBR, FKM, EPDM, MVQ
- Operating pressure: 50 Bar to 500 Bar S800 to S6000 PN depending on valve size and seal materials selected
- Fire safe BS 6755
- Antistatic device
- Temp range: -30°C to +100°C different temperatures on request

GM1

G 1/2

DN13

316L

316L

POM

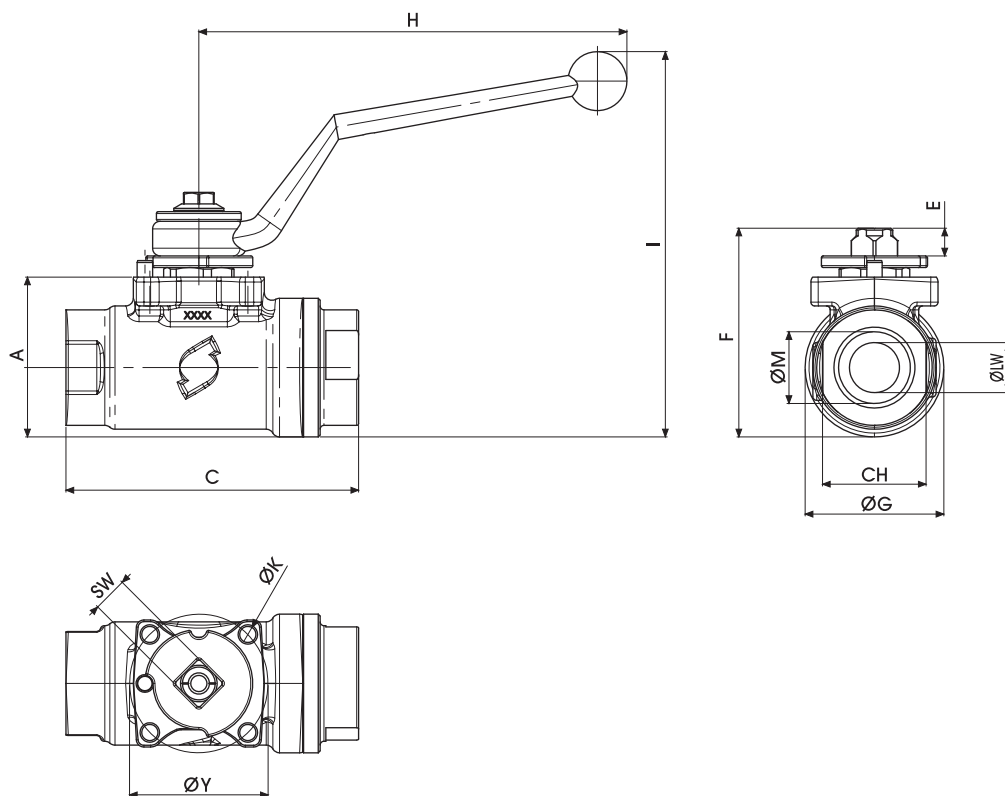
B

Type and way of valve	GAS DIN/ISO 228 BSP	NPT ANSI/ASME B1.20.1	Nominal dimension	Body and adapter material	Stem and ball material	Ball seat material	Adapter and stem seal material
GM1 2-way	G 1/4 G 3/8 G 1/2 G 3/4 G 1	N 1/4 N 3/8 N 1/2 N 3/4 N 1	DN6 DN10 DN13 DN20 DN25	316L 1,4404	316L 1,4404	A POM D PEEK C PTFE	B NBR E FKM F EPDM L MVQ

GM1

+ GM1 2-WAY HIGH PRESSURE BALL VALVES

Specialist in Ball Valves



GM1 DIN/ISO 228 BSP

Standard

TYPE	DN	A	C	E	F	ØG	H	I	L	ØK	ØY	ØM	CH	SW	ØLW	KG
GM1 G 1/4	6	37,5	72	8	53	31	102,5	94	15,5	M5	36	G 1/4	22	9	6	0,41
GM1 G 3/8	10	37,5	72	8	53	31	102,5	94	15,5	M5	36	G 3/8	22	9	10	0,40
GM1 G 1/2	13	42	81	8	57	36	102,5	100	17	M5	36	G 1/2	27	9	13	0,50
GM1 G 3/4	20	60	98	14	83	49	180	115	21	M6	50	G 3/4	35	14	20	1,45
GM1 G 1	25	68	106	14	91	59	180	123	24	M6	50	G 1	42	14	25	1,98



2-WAY HIGH PRESSURE BALL VALVES

www.gemels.it

(POM seal)

GM1 DIN/ISO 228 PN

DN	PN	GM1 DIN/ISO 228 PN	
		CARBON STEEL	STAINLESS STEEL
DN	PN	ITEM CODE	ITEM CODE
6	500	GM1GGT15024A000	GM1GGT15044A000
10	500	GM1GGT25024A000	GM1GGT25044A000
13	500	GM1GGT35024A000	GM1GGT35044A000
20	400	GM1GGT44024A000	GM1GGT44044A000
25	350	GM1GGT53024A000	GM1GGT53044A000

(POM seal)

GM1 DIN/ISO 228 S3000

DN	PN	GM1 DIN/ISO 228 S3000	
		CARBON STEEL	STAINLESS STEEL
DN	PN	ITEM CODE	ITEM CODE
6	S3000	GM1GGT1F024A000	GM1GGT1F044A000
10	S3000	GM1GGT2F024A000	GM1GGT2F044A000
13	S3000	GM1GGT3F024A000	GM1GGT3F044A000
20	S3000	GM1GGT4F024A000	GM1GGT4F044A000
25	S3000	GM1GGT5F024A000	GM1GGT5F044A000

(POM seal)

GM1 DIN/ISO 228 S6000

DN	PN	GM1 DIN/ISO 228 S6000	
		CARBON STEEL	STAINLESS STEEL
DN	PN	ITEM CODE	ITEM CODE
6	S6000	GM1GGT1G024A000	GM1GGT1G044A000
10	S6000	GM1GGT2G024A000	GM1GGT2G044A000
13	S6000	GM1GGT3G024A000	GM1GGT3G044A000
20	S6000	GM1GGT4G024A000	GM1GGT4G044A000
25	S6000	GM1GGT5G024A000	GM1GGT5G044A000

(PEEK seal)

GM1 DIN/ISO 228 PN

DN	PN	GM1 DIN/ISO 228 PN	
		CARBON STEEL	STAINLESS STEEL
DN	PN	ITEM CODE	ITEM CODE
6	500	GM1GGT15024P000	GM1GGT15044P000
10	500	GM1GGT25024P000	GM1GGT25044P000
13	500	GM1GGT35024P000	GM1GGT35044P000
20	400	GM1GGT44024P000	GM1GGT44044P000
25	350	GM1GGT53024P000	GM1GGT53044P000

(PEEK seal)

GM1 DIN/ISO 228 S3000

DN	PN	GM1 DIN/ISO 228 S3000	
		CARBON STEEL	STAINLESS STEEL
DN	PN	ITEM CODE	ITEM CODE
6	S3000	GM1GGT1F024P000	GM1GGT1F044P000
10	S3000	GM1GGT2F024P000	GM1GGT2F044P000
13	S3000	GM1GGT3F024P000	GM1GGT3F044P000
20	S3000	GM1GGT4F024P000	GM1GGT4F044P000
25	S3000	GM1GGT5F024P000	GM1GGT5F044P000

(PEEK seal)

GM1 DIN/ISO 228 S6000

DN	PN	GM1 DIN/ISO 228 S6000	
		CARBON STEEL	STAINLESS STEEL
DN	PN	ITEM CODE	ITEM CODE
6	S6000	GM1GGT1G024P000	GM1GGT1G044P000
10	S6000	GM1GGT2G024P000	GM1GGT2G044P000
13	S6000	GM1GGT3G024P000	GM1GGT3G044P000
20	S6000	GM1GGT4G024P000	GM1GGT4G044P000
25	S6000	GM1GGT5G024P000	GM1GGT5G044P000

(PTFE seal)

GM1 DIN/ISO 228 S800

DN	PN	GM1 DIN/ISO 228 S800	
		CARBON STEEL	STAINLESS STEEL
DN	PN	ITEM CODE	ITEM CODE
6	S800	GM1GGT1A024F000	GM1GGT1A044F000
10	S800	GM1GGT2A024F000	GM1GGT2A044F000
13	S800	GM1GGT3A024F000	GM1GGT3A044F000
20	S800	GM1GGT4A024F000	GM1GGT4A044F000
25	S800	GM1GGT5A024F000	GM1GGT5A044F000

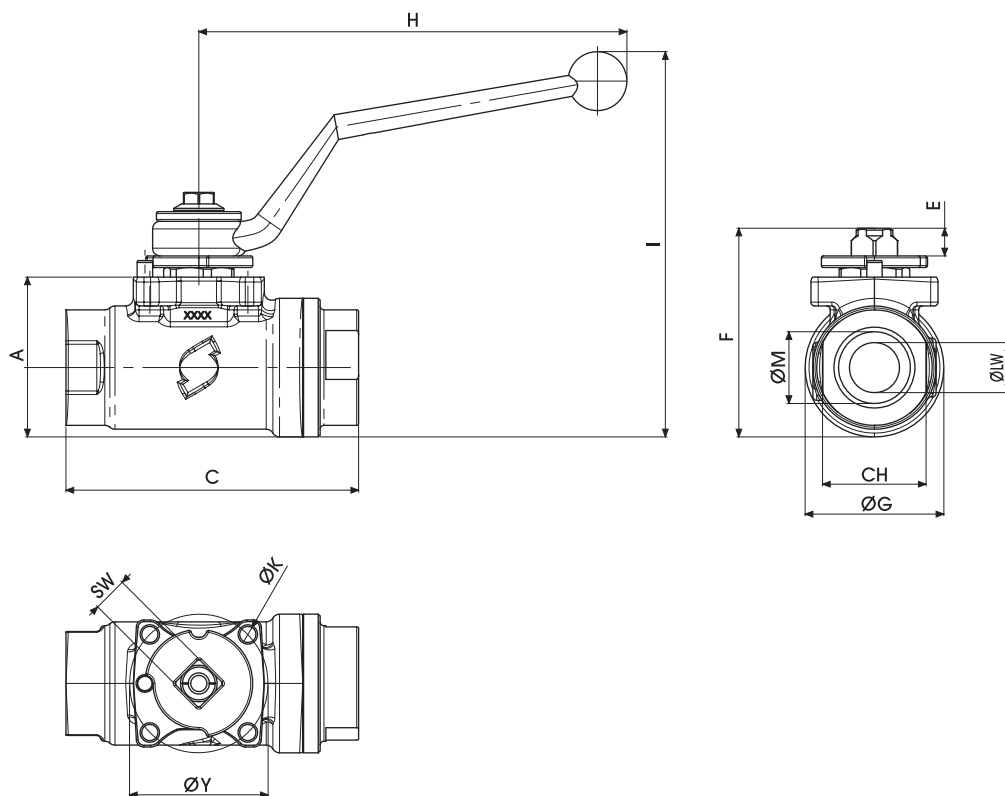
(PTFE seal)

GM1 DIN/ISO 228 S3000

DN	PN	GM1 DIN/ISO 228 S3000	
		CARBON STEEL	STAINLESS STEEL
DN	PN	ITEM CODE	ITEM CODE
6	S3000	GM1GGT1F024F000	GM1GGT1F044F000
10	S3000	GM1GGT2F024F000	GM1GGT2F044F000
13	S3000	GM1GGT3F024F000	GM1GGT3F044F000
20	S3000	GM1GGT4F024F000	GM1GGT4F044F000
25	S3000	GM1GGT5F024F000	GM1GGT5F044F000

+ GM1 2-WAY HIGH PRESSURE BALL VALVES

Specialist in Ball Valves



GM1 ANSI/ASME B1.20.1 NPT

Standard

TYPE	DN	A	C	E	F	ØG	H	I	L	ØK	ØY	ØM	CH	SW	ØLW	KG
GM1 N 1/4	6	37,5	72	8	53	31	102,5	94	15,5	M5	36	N 1/4	22	9	6	0,41
GM1 N 3/8	10	37,5	72	8	53	31	102,5	94	15,5	M5	36	N 3/8	22	9	10	0,40
GM1 N 1/2	13	42	81	8	57	36	102,5	100	17	M5	36	N 1/2	27	9	13	0,50
GM1 N 3/4	20	60	98	14	83	49	180	115	21	M6	50	N 3/4	35	14	20	1,45
GM1 N 1	25	68	106	14	91	59	180	123	24	M6	50	N 1	42	14	25	1,98



2-WAY HIGH PRESSURE BALL VALVES

www.gemels.it

(POM seal) GM1 ANSI/ASME B1.20.1 NPT PN

DN	PN	CARBON STEEL		STAINLESS STEEL	
		ITEM CODE	ITEM CODE	ITEM CODE	ITEM CODE
6	500	GM1NNT15024A000	GM1NNT15044A000	GM1NNT15044A000	GM1NNT15044A000
10	500	GM1NNT25024A000	GM1NNT25044A000	GM1NNT25044A000	GM1NNT25044A000
13	500	GM1NNT35024A000	GM1NNT35044A000	GM1NNT35044A000	GM1NNT35044A000
20	400	GM1NNT44024A000	GM1NNT44044A000	GM1NNT44044A000	GM1NNT44044A000
25	350	GM1NNT53024A000	GM1NNT53044A000	GM1NNT53044A000	GM1NNT53044A000

(POM seal) GM1 ANSI/ASME B1.20.1 NPT S3000

DN	PN	CARBON STEEL		STAINLESS STEEL	
		ITEM CODE	ITEM CODE	ITEM CODE	ITEM CODE
6	S3000	GM1NNT1F024A000	GM1NNT1F044A000	GM1NNT1F044A000	GM1NNT1F044A000
10	S3000	GM1NNT2F024A000	GM1NNT2F044A000	GM1NNT2F044A000	GM1NNT2F044A000
13	S3000	GM1NNT3F024A000	GM1NNT3F044A000	GM1NNT3F044A000	GM1NNT3F044A000
20	S3000	GM1NNT4F024A000	GM1NNT4F044A000	GM1NNT4F044A000	GM1NNT4F044A000
25	S3000	GM1NNT5F024A000	GM1NNT5F044A000	GM1NNT5F044A000	GM1NNT5F044A000

(POM seal) GM1 ANSI/ASME B1.20.1 NPT S6000

DN	PN	CARBON STEEL		STAINLESS STEEL	
		ITEM CODE	ITEM CODE	ITEM CODE	ITEM CODE
6	S6000	GM1NNT1G024A000	GM1NNT1G044A000	GM1NNT1G044A000	GM1NNT1G044A000
10	S6000	GM1NNT2G024A000	GM1NNT2G044A000	GM1NNT2G044A000	GM1NNT2G044A000
13	S6000	GM1NNT3G024A000	GM1NNT3G044A000	GM1NNT3G044A000	GM1NNT3G044A000
20	S6000	GM1NNT4G024A000	GM1NNT4G044A000	GM1NNT4G044A000	GM1NNT4G044A000
25	S6000	GM1NNT5G024A000	GM1NNT5G044A000	GM1NNT5G044A000	GM1NNT5G044A000

(PEEK seal) GM1 ANSI/ASME B1.20.1 NPT PN

DN	PN	CARBON STEEL		STAINLESS STEEL	
		ITEM CODE	ITEM CODE	ITEM CODE	ITEM CODE
6	500	GM1NNT15024P000	GM1NNT15044P000	GM1NNT15044P000	GM1NNT15044P000
10	500	GM1NNT25024P000	GM1NNT25044P000	GM1NNT25044P000	GM1NNT25044P000
13	500	GM1NNT35024P000	GM1NNT35044P000	GM1NNT35044P000	GM1NNT35044P000
20	400	GM1NNT44024P000	GM1NNT44044P000	GM1NNT44044P000	GM1NNT44044P000
25	350	GM1NNT53024P000	GM1NNT53044P000	GM1NNT53044P000	GM1NNT53044P000

(PEEK seal) GM1 ANSI/ASME B1.20.1 NPT S3000

DN	PN	CARBON STEEL		STAINLESS STEEL	
		ITEM CODE	ITEM CODE	ITEM CODE	ITEM CODE
6	S3000	GM1NNT1F024P000	GM1NNT1F044P000	GM1NNT1F044P000	GM1NNT1F044P000
10	S3000	GM1NNT2F024P000	GM1NNT2F044P000	GM1NNT2F044P000	GM1NNT2F044P000
13	S3000	GM1NNT3F024P000	GM1NNT3F044P000	GM1NNT3F044P000	GM1NNT3F044P000
20	S3000	GM1NNT4F024P000	GM1NNT4F044P000	GM1NNT4F044P000	GM1NNT4F044P000
25	S3000	GM1NNT5F024P000	GM1NNT5F044P000	GM1NNT5F044P000	GM1NNT5F044P000

(PEEK seal) GM1 ANSI/ASME B1.20.1 NPT S6000

DN	PN	CARBON STEEL		STAINLESS STEEL	
		ITEM CODE	ITEM CODE	ITEM CODE	ITEM CODE
6	S6000	GM1NNT1G024P000	GM1NNT1G044P000	GM1NNT1G044P000	GM1NNT1G044P000
10	S6000	GM1NNT2G024P000	GM1NNT2G044P000	GM1NNT2G044P000	GM1NNT2G044P000
13	S6000	GM1NNT3G024P000	GM1NNT3G044P000	GM1NNT3G044P000	GM1NNT3G044P000
20	S6000	GM1NNT4G024P000	GM1NNT4G044P000	GM1NNT4G044P000	GM1NNT4G044P000
25	S6000	GM1NNT5G024P000	GM1NNT5G044P000	GM1NNT5G044P000	GM1NNT5G044P000

(PTFE seal) GM1 ANSI/ASME B1.20.1 NPT S800

DN	PN	CARBON STEEL		STAINLESS STEEL	
		ITEM CODE	ITEM CODE	ITEM CODE	ITEM CODE
6	S800	GM1NNT1A024F000	GM1NNT1A044F000	GM1NNT1A044F000	GM1NNT1A044F000
10	S800	GM1NNT2A024F000	GM1NNT2A044F000	GM1NNT2A044F000	GM1NNT2A044F000
13	S800	GM1NNT3A024F000	GM1NNT3A044F000	GM1NNT3A044F000	GM1NNT3A044F000
20	S800	GM1NNT4A024F000	GM1NNT4A044F000	GM1NNT4A044F000	GM1NNT4A044F000
25	S800	GM1NNT5A024F000	GM1NNT5A044F000	GM1NNT5A044F000	GM1NNT5A044F000

(PTFE seal) GM1 ANSI/ASME B1.20.1 NPT S3000

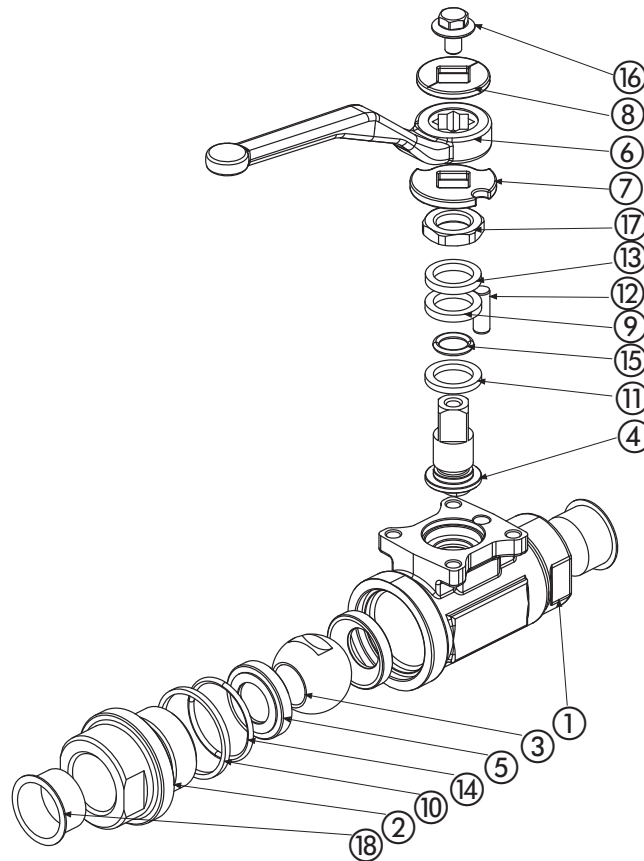
DN	PN	CARBON STEEL		STAINLESS STEEL	
		ITEM CODE	ITEM CODE	ITEM CODE	ITEM CODE
6	S3000	GM1NNT1F024F000	GM1NNT1F044F000	GM1NNT1F044F000	GM1NNT1F044F000
10	S3000	GM1NNT2F024F000	GM1NNT2F044F000	GM1NNT2F044F000	GM1NNT2F044F000
13	S3000	GM1NNT3F024F000	GM1NNT3F044F000	GM1NNT3F044F000	GM1NNT3F044F000
20	S3000	GM1NNT4F024F000	GM1NNT4F044F000	GM1NNT4F044F000	GM1NNT4F044F000
25	S3000	GM1NNT5F024F000	GM1NNT5F044F000	GM1NNT5F044F000	GM1NNT5F044F000



2-WAY HIGH PRESSURE BALL VALVES

www.gemels.it

2016 - Edition 1



Carbon steel

Pos	Description	Material	Q.tà
1	Body	1,0570	1
2	Adapter	1,0570	2
3	Ball	1,4404	1
4	Stem	1,4404	1
5	Ball Seat	PTFE	2
6	Handle	1,0116	1
7	Washer	1,4301	1
8	Washer	1,4301	1
9	Body ring	GRAPHITE	1
10	Adapter ring	GRAPHITE	2
11	Stem ring	PTFE	2
12	Spine	1,4301	1
13	Press ring	1,4301	1
14	Adapter o-ring	NBR	2
15	Stem o-ring	NBR	1
16	Screw	DIN6921 A2	1
17	Nut	1,4301	1
18	Caps	PVC	2

- On request**
- Reduced bore
 - O-Ring in FKM, EPDM, HNBR, KALREZ
 - Seals in PTFE, PEEK, PA612, GEMPTFE, METAL TO METAL
 - Special threads
 - Pressure class up to PN500 or 6000 Psi
 - Locking device

For further special requests please consult our technical/commercial service

Stainless steel

Pos	Description	Material	Q.tà
1	Body	1,4404	1
2	Adapter	1,4404	2
3	Ball	1,4404	1
4	Stem	1,4404	1
5	Ball Seat	PTFE	2
6	Handle	1,0116	1
7	Washer	1,4301	1
8	Washer	1,4301	1
9	Body ring	GRAPHITE	1
10	Adapter ring	GRAPHITE	2
11	Stem ring	PTFE	2
12	Spine	1,4301	1
13	Press ring	1,4301	1
14	Adapter o-ring	NBR	2
15	Stem o-ring	NBR	1
16	Screw	DIN6921 A2	1
17	Nut	1,4301	1
18	Caps	PVC	2

- On request**
- Reduced bore
 - O-Ring in FKM, EPDM, HNBR, KALREZ
 - Seals in PTFE, PEEK, PA612, GEMPTFE, METAL TO METAL
 - Special threads
 - Pressure class up to PN500 or 6000 Psi
 - Locking device



Contact Us

Tel: +44(0)191 549 7335

Email: hos@hos.co.uk

Web: www.hos.co.uk

