



Hydraulic &  
Offshore Supplies

t: +44(0)191 549 7335

e: [hose@hos.co.uk](mailto:hose@hos.co.uk)

w: [www.hos.co.uk](http://www.hos.co.uk)

# GN 2-Way High Pressure Ball Valves



# + GN

## 2-WAY HIGH PRESSURE BALL VALVES



### CARBON STEEL

- Type: ball valve GN 2way 
- Body: round
- Material: 1,0570/1,4404
- Ball seats: from DN6 up to DN50
- O-Rings: NBR, FKM, EPDM, MVQ
- Operating pressure: 350 Bar to 500 Bar S3000 to S6000 PN depending on valve size and seal materials selected
- Fire safe BS 6755
- Antistatic device
- Temp range: -46°C to +250°C depending on seal material selected

#### GN

#### G 1/2

#### DN13

#### LF2


#### 316L

#### POM

#### B

Type and way of valve	GAS DIN/ISO 228 BSP	NPT ANSI/ASME B1.20.1	SW	SW EXTRALONG	PE	Nominal dimension	Body and adapter material	Stem and ball material	Ball seat material	Adapter and stem seal material
GN 2-way	G 1/4	N 1/4	SW 1/4	SWXT 1/4	PE 1/4	DN6			A POM	B NBR
	G 3/8	N 3/8	SW 3/8	SWXT 3/8	PE 3/8	DN10	LF2 1,0570	316L 1,4404	D PEEK	E FKM
	G 1/2	N 1/2	SW 1/2	SWXT 1/2	PE 1/2	DN13				F EPDM
	G 3/4	N 3/4	SW 3/4	SWXT 3/4	PE 3/4	DN20				L MVQ
	G 1	N 1	SW 1	SWXT 1	PE 1	DN25				
	G 1 1/4	N 1 1/4	SW 1 1/4	SWXT 1 1/4	PE 1 1/4	DN32				
	G 1 1/2	N 1 1/2	SW 1 1/2	SWXT 1 1/2	PE 1 1/2	DN40				
	G 2	N 2	SW 2	SWXT 2	PE 2	DN50				

### STAINLESS STEEL

- Type: ball valve GN 2way 
- Body: round
- Material: 1,4404
- Ball seats: from DN6 up to DN50
- O-Rings: NBR, FKM, EPDM, MVQ
- Operating pressure: 350 Bar to 500 Bar S3000 to S6000 PN depending on valve size and seal materials selected
- Fire safe BS 6755
- Antistatic device
- Temp range: -30°C to +100°C different temperatures on request

#### GN

#### G 1/2

#### DN13

#### 316L

#### 316L

#### POM

#### B

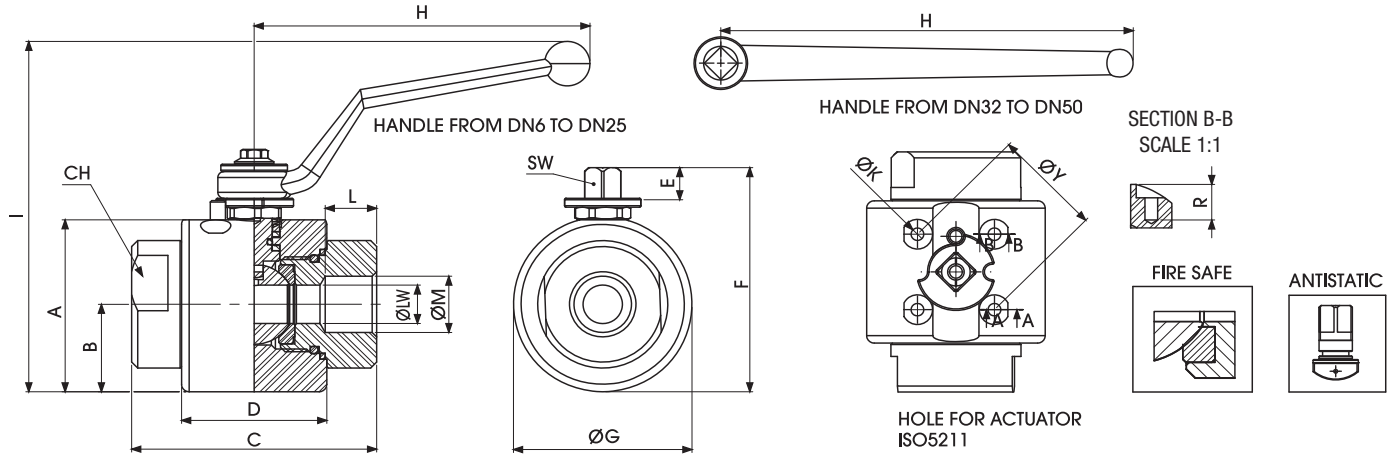
Type and way of valve	GAS DIN/ISO 228 BSP	NPT ANSI/ASME B1.20.1	SW	SW EXTRALONG	PE	Nominal dimension	Body and adapter material	Stem and ball material	Ball seat material	Adapter and stem seal material
GN 2-way	G 1/4	N 1/4	SW 1/4	SWXT 1/4	PE 1/4	DN6			A POM	B NBR
	G 3/8	N 3/8	SW 3/8	SWXT 3/8	PE 3/8	DN10	316L 1,4404	316L 1,4404	D PEEK	E FKM
	G 1/2	N 1/2	SW 1/2	SWXT 1/2	PE 1/2	DN13				F EPDM
	G 3/4	N 3/4	SW 3/4	SWXT 3/4	PE 3/4	DN20				L MVQ
	G 1	N 1	SW 1	SWXT 1	PE 1	DN25				
	G 1 1/4	N 1 1/4	SW 1 1/4	SWXT 1 1/4	PE 1 1/4	DN32				
	G 1 1/2	N 1 1/2	SW 1 1/2	SWXT 1 1/2	PE 1 1/2	DN40				
	G 2	N 2	SW 2	SWXT 2	PE 2	DN50				

GN



# 2-WAY HIGH PRESSURE BALL VALVES

Specialist in Ball Valves



## GN DIN/ISO 228 BSP

Standard

TYPE	DN	A	B	C	D	E	F	ØG	H	I	L	ØM	ØY	ØK	R	ISO 5211	CH	SW	ØLW	KG
GN G 1/4	6	53	27	72	44	10,5	70	54	110	113	15,5	G 1/4	36	M5	12	F03	32	9	6	1,042
GN G 3/8	10	53	27	72	44	10,5	70	54	110	113	15,5	G 3/8	36	M5	12	F03	32	9	10	1,016
GN G 1/2	13	58	29,5	81	48	10,5	75,5	59	110	118	17	G 1/2	36	M5	12	F03	38	9	13	1,328
GN G 3/4	20	72,5	37	98	62	14	95,5	74	180	128	21	G 3/4	50	M6	12	F05	48	14	20	2,638
GN G 1	25	81	41,5	106	66	14	104	83	180	137	24	G 1	50	M6	12	F05	55	14	25	3,45
GN G 1 1/4	32	96	49,5	127	83	14	118,5	99	300	128	25	G 1 1/4	70	M8	15	F07	65	17	32	5,851
GN G 1 1/2	40	109,5	57	135	89	14	132,5	114	300	142	25	G 1 1/2	70	M8	15	F07	80	17	40	8,065
GN G 2	50	118	61,5	160	101	14	141	123	300	150	27	G 2	70	M8	15	F07	90	17	50	10,412



## 2-WAY HIGH PRESSURE BALL VALVES

www.gemels.it

(POM seal) GN DIN/ISO 228 PN

		CARBON STEEL	STAINLESS STEEL
DN	PN	ITEM CODE	ITEM CODE
6	500	GN2GGT15024A000	GN2GGT15044A000
10	500	GN2GGT25024A000	GN2GGT25044A000
13	500	GN2GGT35024A000	GN2GGT35044A000
20	400	GN2GGT44024A000	GN2GGT44044A000
25	350	GN2GGT53024A000	GN2GGT53044A000
32	350	GN2GGT63024A000	GN2GGT63044A000
40	350	GN2GGT73024A000	GN2GGT73044A000
50	350	GN2GGT83024A000	GN2GGT83044A000

(POM seal) GN DIN/ISO 228 S6000

		CARBON STEEL	STAINLESS STEEL
DN	PN	ITEM CODE	ITEM CODE
6	S6000	GN2GGT1G024A000	GN2GGT1G044A000
10	S6000	GN2GGT2G024A000	GN2GGT2G044A000
13	S6000	GN2GGT3G024A000	GN2GGT3G044A000
20	S6000	GN2GGT4G024A000	GN2GGT4G044A000
25	S6000	GN2GGT5G024A000	GN2GGT5G044A000
32	S6000	GN2GGT6G024A000	GN2GGT6G044A000
40	S6000	GN2GGT7G024A000	GN2GGT7G044A000
50	S6000	GN2GGT8G024A000	GN2GGT8G044A000

(PEEK seal) GN DIN/ISO 228 PN

		CARBON STEEL	STAINLESS STEEL
DN	PN	ITEM CODE	ITEM CODE
6	500	GN2GGT15024P000	GN2GGT15044P000
10	500	GN2GGT25024P000	GN2GGT25044P000
13	500	GN2GGT35024P000	GN2GGT35044P000
20	400	GN2GGT44024P000	GN2GGT44044P000
25	350	GN2GGT53024P000	GN2GGT53044P000
32	350	GN2GGT63024P000	GN2GGT63044P000
40	350	GN2GGT73024P000	GN2GGT73044P000
50	350	GN2GGT83024P000	GN2GGT83044P000

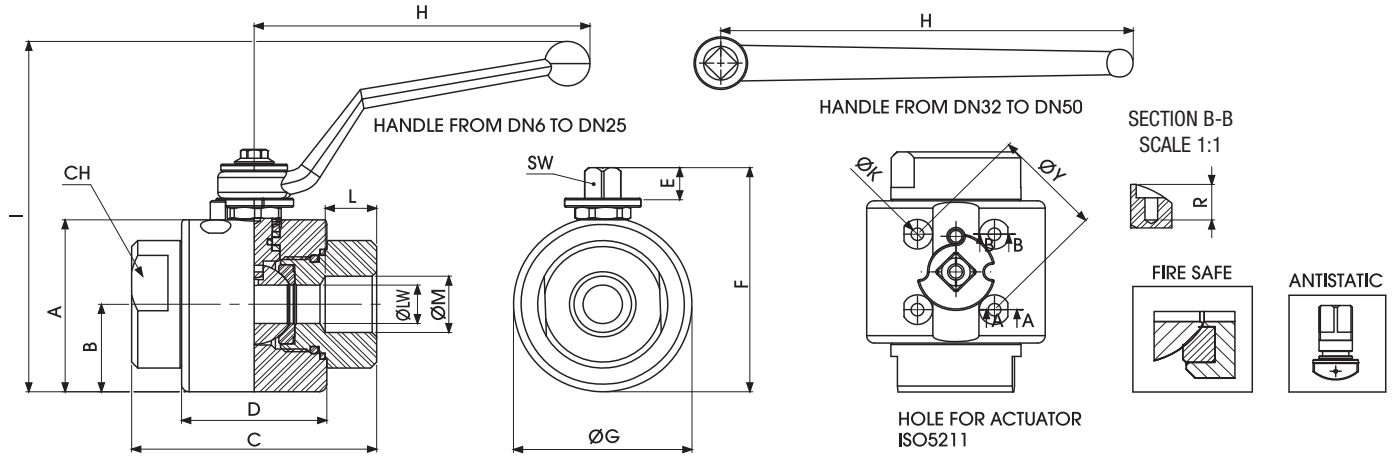
(PEEK seal) GN DIN/ISO 228 S6000

		CARBON STEEL	STAINLESS STEEL
DN	PN	ITEM CODE	ITEM CODE
6	S6000	GN2GGT1G024P000	GN2GGT1G044P000
10	S6000	GN2GGT2G024P000	GN2GGT2G044P000
13	S6000	GN2GGT3G024P000	GN2GGT3G044P000
20	S6000	GN2GGT4G024P000	GN2GGT4G044P000
25	S6000	GN2GGT5G024P000	GN2GGT5G044P000
32	S6000	GN2GGT6G024P000	GN2GGT6G044P000
40	S6000	GN2GGT7G024P000	GN2GGT7G044P000
50	S6000	GN2GGT8G024P000	GN2GGT8G044P000



# 2-WAY HIGH PRESSURE BALL VALVES

Specialist in Ball Valves



## GN ANSI/ASME B1.20.1 NPT

Standard

TYPE	DN	A	B	C	D	E	F	ØG	H	I	L	ØM	ØY	ØK	R	ISO 5211	CH	SW	ØLW	KG
GN N 1/4	6	53	27	72	44	10,5	70	54	110	113	15,5	N 1/4	36	M5	12	F03	32	9	6	1,042
GN N 3/8	10	53	27	72	44	10,5	70	54	110	113	15,5	N 3/8	36	M5	12	F03	32	9	10	1,016
GN N 1/2	13	58	29,5	81	48	10,5	75,5	59	110	118	17	N 1/2	36	M5	12	F03	38	9	13	1,328
GN N 3/4	20	72,5	37	98	62	14	95,5	74	180	128	21	N 3/4	50	M6	12	F05	48	14	20	2,638
GN N 1	25	81	41,5	106	66	14	104	83	180	137	24	N 1	50	M6	12	F05	55	14	25	3,45
GN N 1 1/4	32	96	49,5	127	83	14	118,5	99	300	128	25	N 1 1/4	70	M8	15	F07	65	17	32	5,851
GN N 1 1/2	40	109,5	57	135	89	14	132,5	114	300	142	25	N 1 1/2	70	M8	15	F07	80	17	40	8,065
GN N 2	50	118	61,5	160	101	14	141	123	300	150	27	N 2	70	M8	15	F07	90	17	50	10,412



## 2-WAY HIGH PRESSURE BALL VALVES

www.gemels.it

(POM seal) GN ANSI/ASME B1.20.1 NPT PN

		CARBON STEEL	STAINLESS STEEL
DN	PN	ITEM CODE	ITEM CODE
6	500	GN2NNT15024A000	GN2NNT15044A000
10	500	GN2NNT25024A000	GN2NNT25044A000
13	500	GN2NNT35024A000	GN2NNT35044A000
20	400	GN2NNT44024A000	GN2NNT44044A000
25	350	GN2NNT53024A000	GN2NNT53044A000
32	350	GN2NNT63024A000	GN2NNT63044A000
40	350	GN2NNT73024A000	GN2NNT73044A000
50	350	GN2NNT83024A000	GN2NNT83044A000

(POM seal) GN ANSI/ASME B1.20.1 NPT S6000

		CARBON STEEL	STAINLESS STEEL
DN	PN	ITEM CODE	ITEM CODE
6	S6000	GN2NNT1G024A000	GN2NNT1G044A000
10	S6000	GN2NNT2G024A000	GN2NNT2G044A000
13	S6000	GN2NNT3G024A000	GN2NNT3G044A000
20	S6000	GN2NNT4G024A000	GN2NNT4G044A000
25	S6000	GN2NNT5G024A000	GN2NNT5G044A000
32	S6000	GN2NNT6G024A000	GN2NNT6G044A000
40	S6000	GN2NNT7G024A000	GN2NNT7G044A000
50	S6000	GN2NNT8G024A000	GN2NNT8G044A000

(PEEK seal) GN ANSI/ASME B1.20.1 NPT PN

		CARBON STEEL	STAINLESS STEEL
DN	PN	ITEM CODE	ITEM CODE
6	500	GN2NNT15024P000	GN2NNT15044P000
10	500	GN2NNT25024P000	GN2NNT25044P000
13	500	GN2NNT35024P000	GN2NNT35044P000
20	400	GN2NNT44024P000	GN2NNT44044P000
25	350	GN2NNT53024P000	GN2NNT53044P000
32	350	GN2NNT63024P000	GN2NNT63044P000
40	350	GN2NNT73024P000	GN2NNT73044P000
50	350	GN2NNT83024P000	GN2NNT83044P000

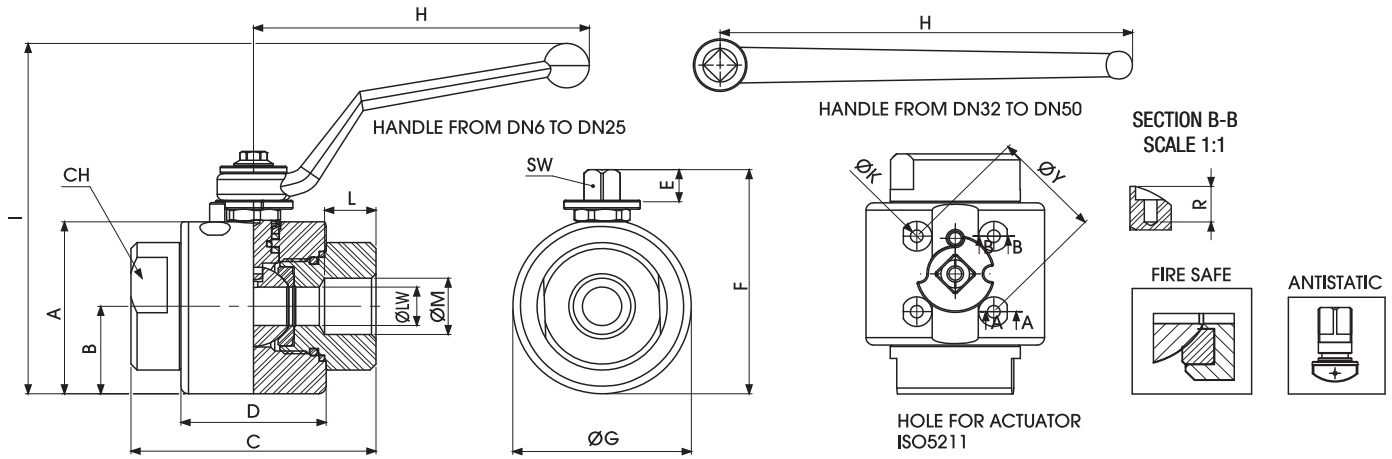
(PEEK seal) GN ANSI/ASME B1.20.1 NPT S6000

		CARBON STEEL	STAINLESS STEEL
DN	PN	ITEM CODE	ITEM CODE
6	S6000	GN2NNT1G024P000	GN2NNT1G044P000
10	S6000	GN2NNT2G024P000	GN2NNT2G044P000
13	S6000	GN2NNT3G024P000	GN2NNT3G044P000
20	S6000	GN2NNT4G024P000	GN2NNT4G044P000
25	S6000	GN2NNT5G024P000	GN2NNT5G044P000
32	S6000	GN2NNT6G024P000	GN2NNT6G044P000
40	S6000	GN2NNT7G024P000	GN2NNT7G044P000
50	S6000	GN2NNT8G024P000	GN2NNT8G044P000



# 2-WAY HIGH PRESSURE BALL VALVES

Specialist in Ball Valves



## GN SW

Standard

TYPE	DN	A	B	C	D	E	F	ØG	H	I	L	ØM	ØY	ØK	R	ISO 5211	CH	SW	ØLW	KG
GN SW 1/4	6	53	27	72	44	10,5	70	54	110	113	11,1	14,1	36	M5	12	F03	32	9	6	1,042
GN SW 3/8	10	53	27	72	44	10,5	70	54	110	113	11,1	17,53	36	M5	12	F03	32	9	10	1,016
GN SW 1/2	13	58	29,5	81	48	10,5	75,5	59	110	118	12,7	21,72	36	M5	12	F03	38	9	13	1,328
GN SW 3/4	20	72,5	37	98	62	14	95,5	74	180	128	15	27,05	50	M6	12	F05	48	14	20	2,638
GN SW 1	25	81	41,5	106	66	14	104	83	180	137	16	33,78	50	M6	12	F05	55	14	25	3,45
GN SW 1 1/4	32	96	49,5	127	83	14	118,5	99	300	128	17,5	42,7	70	M8	15	F07	65	17	32	5,851
GN SW 1 1/2	40	109,5	57	135	89	14	132,5	114	300	142	19	48,64	70	M8	15	F07	80	17	40	8,065
GN SW 2	50	118	61,5	160	101	14	141	123	300	150	22	61,2	70	M8	15	F07	90	17	50	10,412



## 2-WAY HIGH PRESSURE BALL VALVES

www.gemels.it

(POM seal) GN SW PN

		CARBON STEEL	STAINLESS STEEL
DN	PN	ITEM CODE	ITEM CODE
6	500	GN2TTT15024A000	GN2TTT15044A000
10	500	GN2TTT25024A000	GN2TTT25044A000
13	500	GN2TTT35024A000	GN2TTT35044A000
20	400	GN2TTT44024A000	GN2TTT44044A000
25	350	GN2TTT53024A000	GN2TTT53044A000
32	350	GN2TTT63024A000	GN2TTT63044A000
40	350	GN2TTT73024A000	GN2TTT73044A000
50	350	GN2TTT83024A000	GN2TTT83044A000

(POM seal) GN SW S6000

		CARBON STEEL	STAINLESS STEEL
DN	PN	ITEM CODE	ITEM CODE
6	S6000	GN2TTT1G024A000	GN2TTT1G044A000
10	S6000	GN2TTT2G024A000	GN2TTT2G044A000
13	S6000	GN2TTT3G024A000	GN2TTT3G044A000
20	S6000	GN2TTT4G024A000	GN2TTT4G044A000
25	S6000	GN2TTT5G024A000	GN2TTT5G044A000
32	S6000	GN2TTT6G024A000	GN2TTT6G044A000
40	S6000	GN2TTT7G024A000	GN2TTT7G044A000
50	S6000	GN2TTT8G024A000	GN2TTT8G044A000

(PEEK seal) GN SW PN

		CARBON STEEL	STAINLESS STEEL
DN	PN	ITEM CODE	ITEM CODE
6	500	GN2TTT15024P000	GN2TTT15044P000
10	500	GN2TTT25024P000	GN2TTT25044P000
13	500	GN2TTT35024P000	GN2TTT35044P000
20	400	GN2TTT44024P000	GN2TTT44044P000
25	350	GN2TTT53024P000	GN2TTT53044P000
32	350	GN2TTT63024P000	GN2TTT63044P000
40	350	GN2TTT73024P000	GN2TTT73044P000
50	350	GN2TTT83024P000	GN2TTT83044P000

(PEEK seal) GN SW S6000

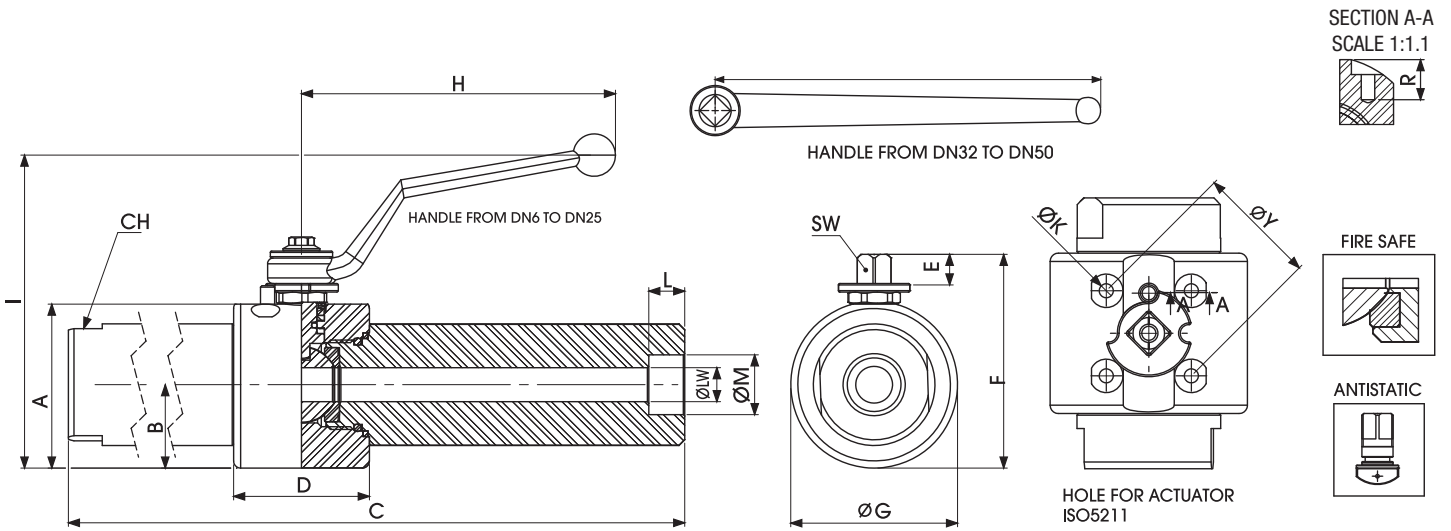
		CARBON STEEL	STAINLESS STEEL
DN	PN	ITEM CODE	ITEM CODE
6	S6000	GN2TTT1G024P000	GN2TTT1G044P000
10	S6000	GN2TTT2G024P000	GN2TTT2G044P000
13	S6000	GN2TTT3G024P000	GN2TTT3G044P000
20	S6000	GN2TTT4G024P000	GN2TTT4G044P000
25	S6000	GN2TTT5G024P000	GN2TTT5G044P000
32	S6000	GN2TTT6G024P000	GN2TTT6G044P000
40	S6000	GN2TTT7G024P000	GN2TTT7G044P000
50	S6000	GN2TTT8G024P000	GN2TTT8G044P000





# 2-WAY HIGH PRESSURE BALL VALVES

Specialist in Ball Valves



## GN SW EXTRALONG

Standard

TYPE	DN	A	B	C	D	E	F	ØG	H	I	L	ØM	ØY	ØK	R	ISO 5211	CH	SW	ØLW	KG
GN SWXT 1/4	6	53	27	262	44	10,5	70	54	110	113	11,1	14,1	36	M5	12	F03	32	9	6	2,702
GN SWXT 3/8	10	53	27	262	44	10,5	70	54	110	113	11,1	17,53	36	M5	12	F03	32	9	10	2,599
GN SWXT 1/2	13	58	29,5	271	48	10,5	75,5	59	110	118	12,7	21,72	36	M5	12	F03	38	9	13	3,303
GN SWXT 3/4	20	72,5	37	288	62	14	95,5	74	180	128	15	27,05	50	M6	12	F05	48	14	20	5,595
GN SWXT 1	25	81	41,5	296	66	14	104	83	180	137	16	33,78	50	M6	12	F05	55	14	25	7,534
GN SWXT 1 1/4	32	96	49,5	318	83	14	118,5	99	300	128	17,5	42,7	70	M8	15	F07	65	17	32	11,123
GN SWXT 1 1/2	40	109,5	57	325	89	14	132,5	114	300	142	19	48,64	70	M8	15	F07	80	17	40	15,467
GN SWXT 2	50	118	61,5	350	101	14	141	123	300	150	22	61,2	70	M8	15	F07	90	17	50	19,178



## 2-WAY HIGH PRESSURE BALL VALVES

www.gemels.it

(POM seal) GN SW EXTRALONG PN

		CARBON STEEL	STAINLESS STEEL
DN	PN	ITEM CODE	ITEM CODE
6	500	GN2TXT15024A000	GN2TXT15044A000
10	500	GN2TXT25024A000	GN2TXT25044A000
13	500	GN2TXT35024A000	GN2TXT35044A000
20	400	GN2TXT44024A000	GN2TXT44044A000
25	350	GN2TXT53024A000	GN2TXT53044A000
32	350	GN2TXT63024A000	GN2TXT63044A000
40	350	GN2TXT73024A000	GN2TXT73044A000
50	350	GN2TXT83024A000	GN2TXT83044A000

(POM seal) GN SW EXTRALONG S6000

		CARBON STEEL	STAINLESS STEEL
DN	PN	ITEM CODE	ITEM CODE
6	S6000	GN2TXT1G024A000	GN2TXT1G044A000
10	S6000	GN2TXT2G024A000	GN2TXT2G044A000
13	S6000	GN2TXT3G024A000	GN2TXT3G044A000
20	S6000	GN2TXT4G024A000	GN2TXT4G044A000
25	S6000	GN2TXT5G024A000	GN2TXT5G044A000
32	S6000	GN2TXT6G024A000	GN2TXT6G044A000
40	S6000	GN2TXT7G024A000	GN2TXT7G044A000
50	S6000	GN2TXT8G024A000	GN2TXT8G044A000

(PEEK seal) GN SW EXTRALONG PN

		CARBON STEEL	STAINLESS STEEL
DN	PN	ITEM CODE	ITEM CODE
6	500	GN2TXT15024P000	GN2TXT15044P000
10	500	GN2TXT25024P000	GN2TXT25044P000
13	500	GN2TXT35024P000	GN2TXT35044P000
20	400	GN2TXT44024P000	GN2TXT44044P000
25	350	GN2TXT53024P000	GN2TXT53044P000
32	350	GN2TXT63024P000	GN2TXT63044P000
40	350	GN2TXT73024P000	GN2TXT73044P000
50	350	GN2TXT83024P000	GN2TXT83044P000

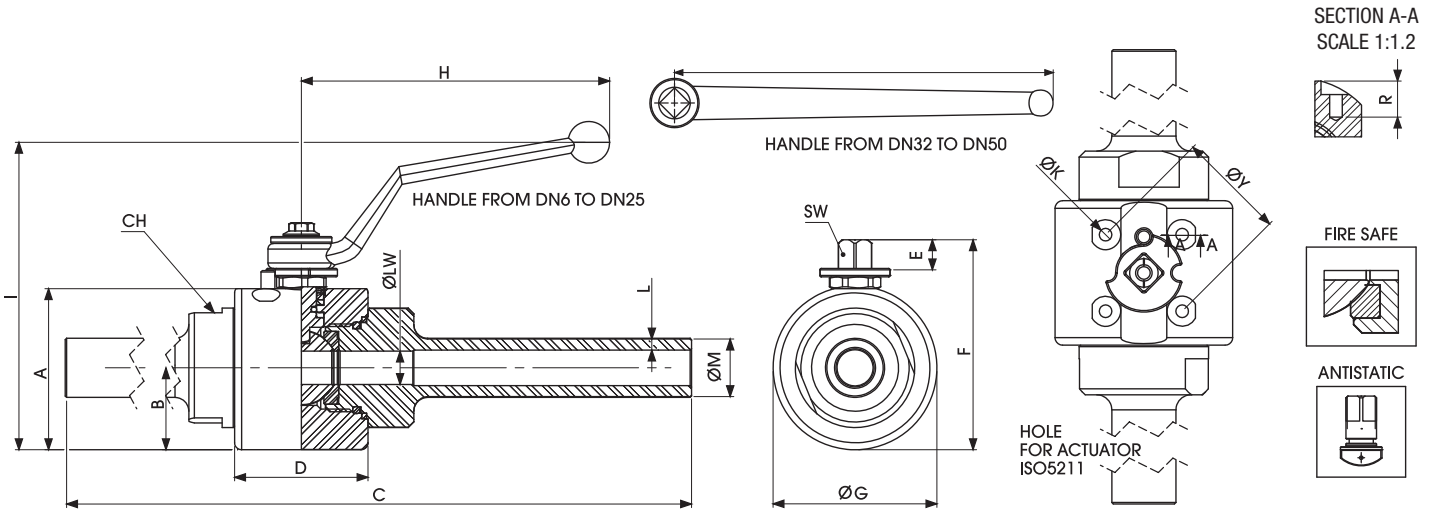
(PEEK seal) GN SW EXTRALONG S6000

		CARBON STEEL	STAINLESS STEEL
DN	PN	ITEM CODE	ITEM CODE
6	S6000	GN2TXT1G024P000	GN2TXT1G044P000
10	S6000	GN2TXT2G024P000	GN2TXT2G044P000
13	S6000	GN2TXT3G024P000	GN2TXT3G044P000
20	S6000	GN2TXT4G024P000	GN2TXT4G044P000
25	S6000	GN2TXT5G024P000	GN2TXT5G044P000
32	S6000	GN2TXT6G024P000	GN2TXT6G044P000
40	S6000	GN2TXT7G024P000	GN2TXT7G044P000
50	S6000	GN2TXT8G024P000	GN2TXT8G044P000



# 2-WAY HIGH PRESSURE BALL VALVES

Specialist in Ball Valves



## GN PE

Standard

TYPE	DN	A	B	C	D	E	F	ØG	H	I	LSCH80	ØM	ØY	ØK	R	ISO 5211	CH	SW	ØLW	KG
GN PE 1/4	6	53	27	272	44	10,5	70	54	110	113	3,02	13,7	36	M5	12	F03	32	9	6	1,227
GN PE 3/8	10	53	27	272	44	10,5	70	54	110	113	3,2	17,1	36	M5	12	F03	32	9	10	1,27
GN PE 1/2	13	58	29,5	281	48	10,5	75,5	59	110	118	3,73	21,3	36	M5	12	F03	38	9	13	1,709
GN PE 3/4	20	72,5	37	298	62	14	95,5	74	180	128	3,91	26,7	50	M6	12	F05	48	14	20	3,159
GN PE 1	25	81	41,5	306	66	14	104	83	180	137	4,55	33,4	50	M6	12	F05	55	14	25	4,224
GN PE 1 1/4	32	96	49,5	327	83	14	118,5	99	300	128	4,85	42,2	70	M8	15	F07	65	17	32	6,951
GN PE 1 1/2	40	109,5	57	335	89	14	132,5	114	300	142	5,08	48,3	70	M8	15	F07	80	17	40	9,283
GN PE 2	50	118	61,5	360	101	14	141	123	300	150	5,54	60,3	70	M8	15	F07	90	17	50	12,252



## 2-WAY HIGH PRESSURE BALL VALVES

www.gemels.it

(POM seal) GN PE PN

		CARBON STEEL	STAINLESS STEEL
DN	PN	ITEM CODE	ITEM CODE
6	500	GN2BWT15024A000	GN2BWT15044A000
10	500	GN2BWT25024A000	GN2BWT25044A000
13	500	GN2BWT35024A000	GN2BWT35044A000
20	400	GN2BWT44024A000	GN2BWT44044A000
25	350	GN2BWT53024A000	GN2BWT53044A000
32	350	GN2BWT63024A000	GN2BWT63044A000
40	350	GN2BWT73024A000	GN2BWT73044A000
50	350	GN2BWT83024A000	GN2BWT83044A000

(POM seal) GN PE S6000

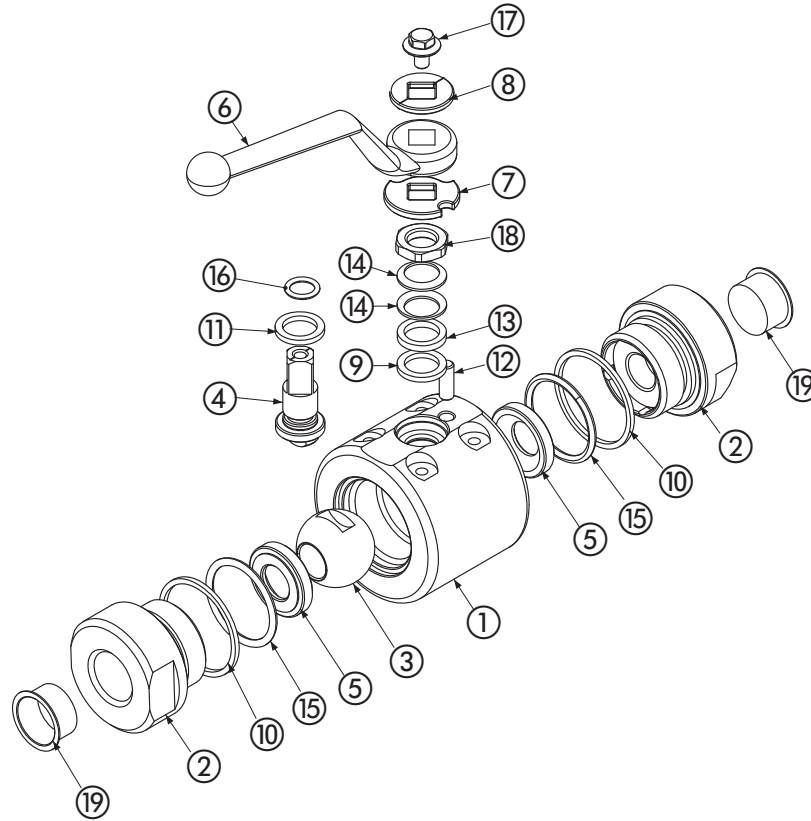
		CARBON STEEL	STAINLESS STEEL
DN	PN	ITEM CODE	ITEM CODE
6	S6000	GN2BWT1G024A000	GN2BWT1G044A000
10	S6000	GN2BWT2G024A000	GN2BWT2G044A000
13	S6000	GN2BWT3G024A000	GN2BWT3G044A000
20	S6000	GN2BWT4G024A000	GN2BWT4G044A000
25	S6000	GN2BWT5G024A000	GN2BWT5G044A000
32	S6000	GN2BWT6G024A000	GN2BWT6G044A000
40	S6000	GN2BWT7G024A000	GN2BWT7G044A000
50	S6000	GN2BWT8G024A000	GN2BWT8G044A000

(PEEK seal) GN PE PN

		CARBON STEEL	STAINLESS STEEL
DN	PN	ITEM CODE	ITEM CODE
6	500	GN2BWT15024P000	GN2BWT15044P000
10	500	GN2BWT25024P000	GN2BWT25044P000
13	500	GN2BWT35024P000	GN2BWT35044P000
20	400	GN2BWT44024P000	GN2BWT44044P000
25	350	GN2BWT53024P000	GN2BWT53044P000
32	350	GN2BWT63024P000	GN2BWT63044P000
40	350	GN2BWT73024P000	GN2BWT73044P000
50	350	GN2BWT83024P000	GN2BWT83044P000

(PEEK seal) GN PE S6000

		CARBON STEEL	STAINLESS STEEL
DN	PN	ITEM CODE	ITEM CODE
6	S6000	GN2BWT1G024P000	GN2BWT1G044P000
10	S6000	GN2BWT2G024P000	GN2BWT2G044P000
13	S6000	GN2BWT3G024P000	GN2BWT3G044P000
20	S6000	GN2BWT4G024P000	GN2BWT4G044P000
25	S6000	GN2BWT5G024P000	GN2BWT5G044P000
32	S6000	GN2BWT6G024P000	GN2BWT6G044P000
40	S6000	GN2BWT7G024P000	GN2BWT7G044P000
50	S6000	GN2BWT8G024P000	GN2BWT8G044P000



### Carbon steel

Pos	Description	Material	Q.tà
1	Body	1,0570	1
2	Adapter	1,0570	2
3	Ball	1,4404	1
4	Stem	1,4404	1
5	Ball seat	POM	2
6	Handle	1,0116	1
7	Washer	1,4301	1
8	Washer	1,4301	1
9	Body ring	GRAPHITE	1
10	Adapter ring	GRAPHITE	2
11	Stem ring	PTFE	2
12	Spine	1,4301	1
13	Press ring	1,4301	1
14	Spring	1,4301	2
15	Adapter o-ring	NBR	2
16	Stem o-ring	NBR	1
17	Screw	DIN6921 A2	1
18	Nut	1,4301	1
19	Caps	PVC	2

For further special requests please consult our technical/commercial service

- On request**
- Reduced bore
  - O-Ring in FKM, EPDM, HNBR, KALREZ
  - Seals in PTFE, PEEK, PA612, GEMPTFE, METAL TO METAL
  - Special threads
  - Pressure class up to PN500 or 6000 Psi
  - Locking device
  - Pneumatic and electrical actuator

### Stainless steel

Pos	Description	Material	Q.tà
1	Body	1,4404	1
2	Adapter	1,4404	2
3	Ball	1,4404	1
4	Stem	1,4404	1
5	Ball seat	POM	2
6	Handle	1,0116	1
7	Washer	1,4301	1
8	Washer	1,4301	1
9	Body ring	GRAPHITE	1
10	Adapter ring	GRAPHITE	2
11	Stem ring	PTFE	2
12	Spine	1,4301	1
13	Press ring	1,4301	1
14	Spring	1,4301	2
15	Adapter o-ring	NBR	2
16	Stem o-ring	NBR	1
17	Screw	DIN6921 A2	1
18	Nut	1,4301	1
19	Caps	PVC	2

- On request**
- Reduced bore
  - O-Ring in FKM, EPDM, HNBR, KALREZ
  - Seals in PTFE, PEEK, PA612, GEMPTFE, METAL TO METAL
  - Special threads
  - Pressure class up to PN500 or 6000 Psi
  - Locking device
  - Pneumatic and electrical actuator



# Contact Us

Tel: +44(0)191 549 7335

Email: [hos@hos.co.uk](mailto:hos@hos.co.uk)

Web: [www.hos.co.uk](http://www.hos.co.uk)



in

f

