



Hydraulic & Offshore Supplies

t: +44(0)191 549 7335

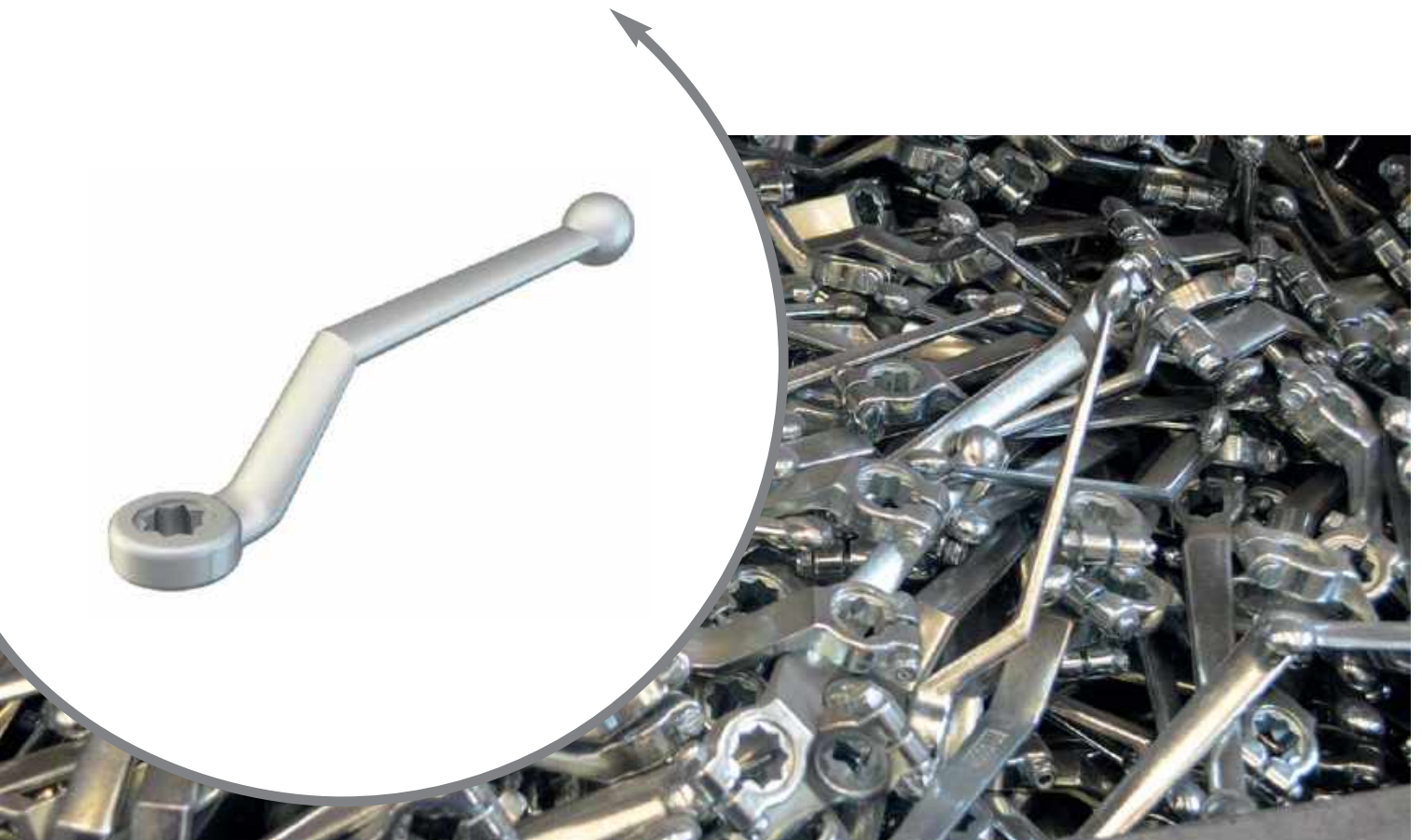
e: [hos@hos.co.uk](mailto:hose@hos.co.uk)

w: www.hos.co.uk

Valve Handles



+ Handles

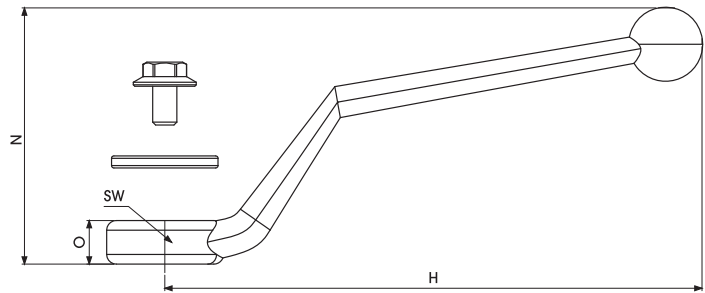


BENT HANDLES
BUTTERFLY HANDLES
CUT BENT HANDLES
CUT STRAIGHT HANDLES
PIPE HANDLES
SHORT HANDLES
STRAIGHT HANDLES

Handles

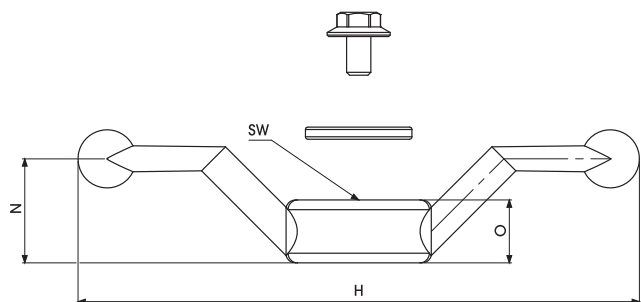
+ Handles

Specialist in Ball Valves



BENT HANDLES

SW	H	N	O	MATERIAL	TREATMENT	WEIGHT Kg	HANDLE CODE	KIT CODE
9	104,5	40,34	9	ZINC	GALVANIZED	0,054	C021330ZC	K06A0018859000C (only GE1 and GE5)
9	110	53	9	ZINC	GALVANIZED	0,082	C001010ZC	KOL0011ZZ
9	110	53	9	CARBON STEEL	GALVANIZED	0,097	C0010102Z	KOL0011ZZ
9	110	53	9	STAINLES STEEL	-	0,098	C0010106H	KOL00116H
14	180	48	13	ZINC	GALVANIZED	0,18	C008550ZC	KOL0016ZZ
14	180	48	14	CARBON STEEL	GALVANIZED	0,248	C0069202Z	KOL0015ZZ
14	180	48	14	STAINLES STEEL	-	0,257	C0069206H	KOL00156H
17	300	71	14	CARBON STEEL	GALVANIZED	0,662	C0092502Z	KBL0013ZZ
17	300	71	14	STAINLES STEEL	-	0,675	C0092506H	KBL00136H

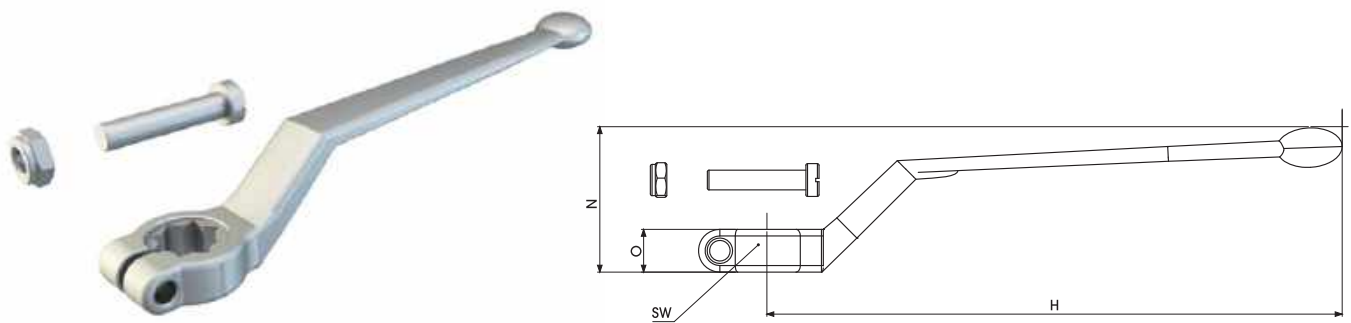


BUTTERFLY HANDLES

SW	H	N	O	MATERIAL	TREATMENT	WEIGHT Kg	HANDLE CODE	KIT CODE
9	116	27,5	13	ZINC	GALVANIZED	0,107	C010740ZZ	KOL0018ZZ
14	116	27,5	13	ZINC	GALVANIZED	0,097	C010750ZZ	KOL0019ZZ

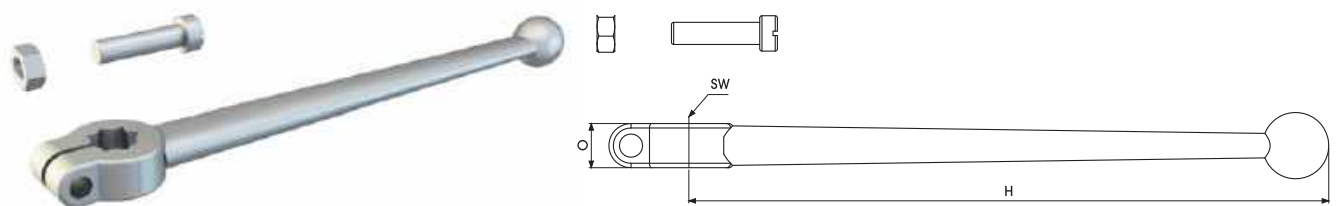
+ Handles

www.gemels.it



CUT BENT HANDLES

SW	H	N	O	MATERIAL	TREATMENT	WEIGHT Kg	HANDLE CODE	KIT CODE
14	180	53	13	ZINC	GALVANIZED	0,195	C001200ZC	KEL007ZZ
14	330	71	14	ALLUMINIUM	RED PAINTED	0,222	C000360AV	KBL0010HV



CUT STRAIGHT HANDLES

SW	H	N	O	MATERIAL	TREATMENT	WEIGHT Kg	HANDLE CODE	KIT CODE
9	145	10	-	ZINC	GALVANIZED	0,042	C000020ZZ	KEL006ZZ
14	300	14	-	ALLUMINIUM	RED PAINTED	0,208	C002890AV	KBL009HV



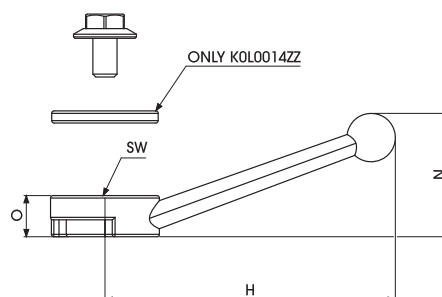
PIPE HANDLES

SW	H	N	O	MATERIAL	TREATMENT	WEIGHT Kg	HANDLE CODE	KIT CODE
19	650	73,5	-	CARBON STEEL	GALVANIZED	2,112	C0012502Z	KOL00202Z
19	650	73,5	-	STAINLES STEEL	-	2,312	C0012506H	KOL00206H
24	650	78	-	CARBON STEEL	GALVANIZED	3,912	C0012502Z	KOL00212Z
24	650	78	-	STAINLES STEEL	-	4	C0012506H	KOL00216H

+ Handles

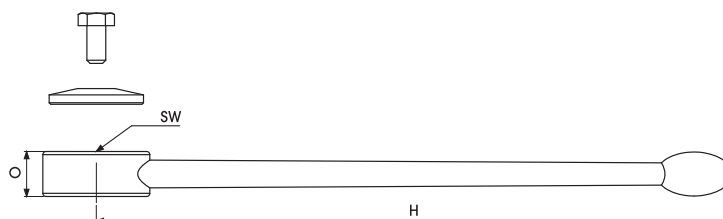
www.gemels.it

2016 - Edition 1



SHORT HANDLES

SW	H	N	O	MATERIAL	TREATMENT	WEIGHT Kg	HANDLE CODE	KIT CODE
6	60	25,50	8,5	ZINC	RED PAINTED	0,024	C001490ZV	K1LT117ZV
9	60	25,50	8,5	ZINC	GALVANIZED	0,022	C009490ZZ	K0L0014ZZ



STRAIGHT HANDLES

SW	H	N	O	MATERIAL	TREATMENT	WEIGHT Kg	HANDLE CODE	KIT CODE
14	200	-	14	ALLUMINIUM	RED PAINTED	0,109	C002950AV	KEL008HV
17	300	-	13	CARBON STEEL	GALVANIZED	0,457	C0081302Z	K0L00122Z
17	300	-	13	STAINLES STEEL	-	0,467	C0081306H	K0L00126H



Contact Us

Tel: +44(0)191 549 7335

Email: hos@hos.co.uk

Web: www.hos.co.uk



in

f

