



# Hydraulic & Offshore Supplies

t: +44(0)191 549 7335

e: [hose@hos.co.uk](mailto:hose@hos.co.uk)

w: [www.hos.co.uk](http://www.hos.co.uk)

## VB Vuba (Hose Break Valve)



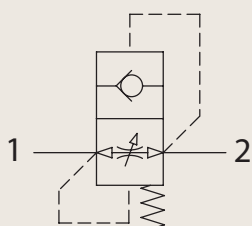
# + VB VUBA

(HOSE BREAK VALVE)



## CARBON STEEL

- Type: hose break valve VB
- Body: exacon
- Material: 1,0737
- Mineral oil: ISO 6743/4/DIN 51524
- Fluid viscosity: 45 to 2000 ssu
- Operating pressure: 300-350 Bar
- Temp range: -20°C to +100°C



VB	G 3/8	T0,5	F0,5
Type and way of valve VB	Port size G 1/4 G 3/8 G 1/2 G 3/4 G 1	Setting 0,25 --> 4,25	Throttling hole 0,5 --> 3,0

**VBF** Female insert  
**VBM** Male insert

TYPE	F (Throttling hole*)	
	Ø MIN (mm)	Ø MAX (mm)
VB G 1/4	0,50	1,00
VB G 3/8	0,50	1,25
VB G 1/2	0,50	1,50
VB G 3/4	0,50	2,50
VB G 1	0,50	3,00

\* omit if not requested

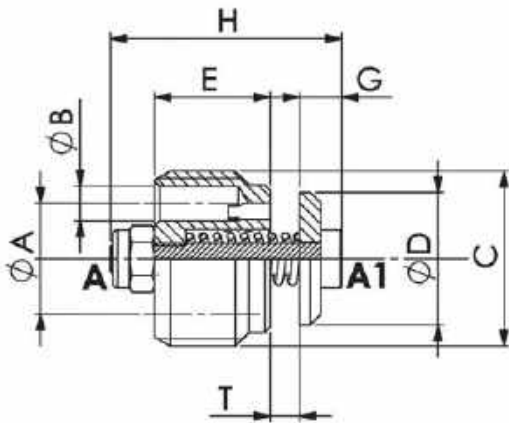




# + VB VUBA (HOSE BREAK VALVE)

Specialist in Ball Valves

## COMPONENTS

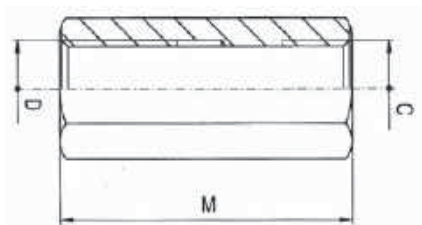


### VB VALVE

Standard

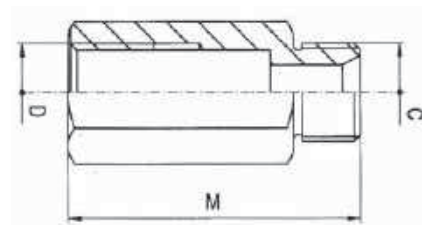
TYPE	FLOW min-max l/min	A	B	C	D	E	G	H	KG	ITEM CODE
VB G 3/8	16-50	11	3,5	3/8	12,5	11	5,0	23	0,0125	G540103A01AAPAA
VB G 1/2	25-80	13	4,5	1/2	15,0	13	6,0	29	0,0235	G540104A01AAPAA
VB G 3/4	50-150	16	6,0	3/4	18,5	18	6,0	34	0,0460	G540105A01AAPAA
VB G 1	70-200	20	7,0	1	23,0	21	7,5	40	0,0945	G540106A01AAPAA

**VBF** Female housing



TYPE	CS	C-D	M	KG	Q (L/1')	ITEM CODE
VBF G 1/4	1/4	G 1/4	48	0,01	28	C01AA03583A010Z
VBF G 3/8	3/8	G 3/8	52	0,01	50	C01AA03584A010Z
VBF G 1/2	1/2	G 1/2	60	0,02	85	C01AA03585A010Z
VBF G 3/4	3/4	G 3/4	72	0,05	150	C01AA03586A010Z
VBF G 1	1	G 1	85	0,09	180	C01AA03587A010Z

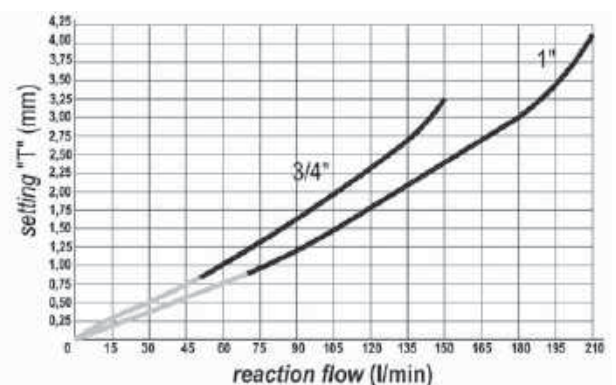
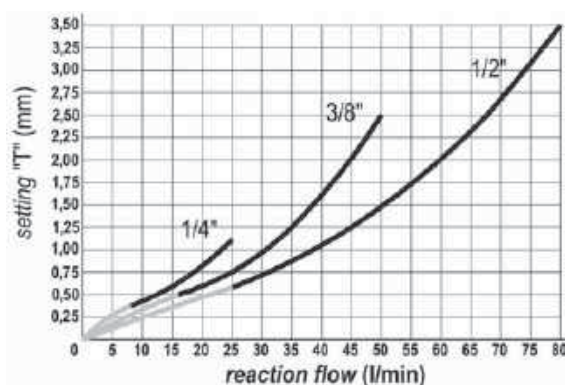
**VBM** Male housing



TYPE	CS	C-D	M	KG	Q (L/1')	ITEM CODE
VBM G 1/4	1/4	G 1/4	48	0,01	28	C01AA03578A010Z
VBM G 3/8	3/8	G 3/8	58	0,01	50	C01AA03579A010Z
VBM G 1/2	1/2	G 1/2	65	0,02	85	C01AA03580A010Z
VBM G 3/4	3/4	G 3/4	78	0,05	150	C01AA03581A010Z
VBM G 1	1	G 1	85	0,09	180	C01AA03582A010Z

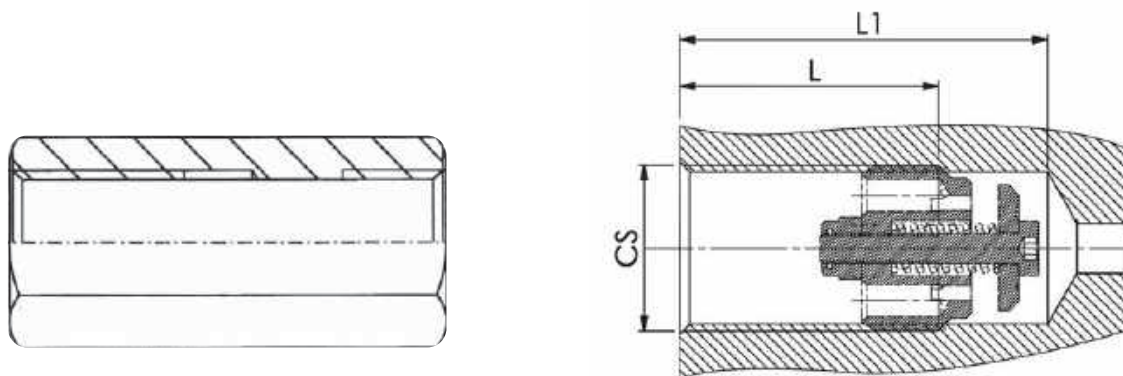
For actuator moved by directional control valve, the reaction flow has to be calculated multiply the nominal flow by 1.5 and by 2 for actuator moved by solenoid operated directional control valve. It is normal to set the reaction flow 1,5 times the rate flow of the system. If not required, the setting of "T" will be supplied at the maximum value.

**Warning:**  
the setting values indicated in this diagram are indicative, for any setting value of "T", the reaction flow can change by  $\pm 10\%$  and beyond based on the features of the equipment in which they are installed.



# + VB VUBA (HOSE BREAK VALVE)

www.gemels.it



## Applications:

Screw in the valve connecting 1 to the pressure flow and 2 to the actuator.  
The use together with flow control valve is recommended.

### VB + VBF Assembled (Female-Female)

TYPE	FLOW min-max	MAX PRESSURE	T	CAVITY			ITEM CODE
	l/min			BAR	CS	L	
VB G 1/4	8-25	350	see diagram	1/4	24,2	35,2	G480202A0100PAA
VB G 3/8	16-50			3/8	26,2	37,1	G480203A0100PAA
VB G 1/2	25-80			1/2	30,3	45,2	G480204A0100PAA
VB G 3/4	50-150			3/4	38,1	54,2	G480205A0100PAA
VB G 1	70-200			1	46,2	66,1	G480206A0100PAA

### VB + VBM Assembled (Male-Female)

TYPE	FLOW min-max	MAX PRESSURE	T	CAVITY			ITEM CODE
	l/min			BAR	CS	L	
VB G 1/4	8-25	350	see diagram	1/4	24,2	35,2	G580302A0100PAA
VB G 3/8	16-50			3/8	26,2	37,1	G580303A0100PAA
VB G 1/2	25-80			1/2	30,3	45,2	G580304A0100PAA
VB G 3/4	50-150			3/4	38,1	54,2	G580305A0100PAA
VB G 1	70-200			1	46,2	66,1	G580306A0100PAA





# Contact Us

Tel: +44(0)191 549 7335

Email: [hos@hos.co.uk](mailto:hos@hos.co.uk)

Web: [www.hos.co.uk](http://www.hos.co.uk)



in

f

