

# Hydraulic & Offshore SUPPLIES

## Instrumentation Pipe Fittings

Contact our team *and*  
**Order today on:**  
**+44 (0)191 549 7335**

Offshore House, Southwick Industrial Estate, Sunderland, SR5 3TX  
hos@hos.co.uk | [www.hos.co.uk](http://www.hos.co.uk)

# INDEX

HN Hexagon Nipple .....	3
HNL Hexagon Nipple Long - 2" .....	4
HRN Hexagon Reducing Nipple .....	5
RAFM Reducing Adapter Female to Male .....	6
RBMF Reducing Bush Male to Female .....	7
BP Blanking Plug .....	8
BC Blanking Cap .....	9
VP Vent Plug .....	10
CVP Captive Vent Plug .....	11
AFM Adapter Female to Male .....	12
HC Hexagon Coupling .....	13
HRU Hexagon Reducing Union .....	14
EME Equal Male Elbow .....	15
FE Female Elbow .....	16
SE Street Elbow .....	17
EMT Equal Male Tee .....	18
FET Female Equal Tee .....	19
ST Street Tee .....	20
Conversion data .....	21
Standard Thread Sizes .....	22

# Instrumentation Pipe Fittings

## HEXAGON NIPPLE - HN

316 STAINLESS STEEL PRECISION INSTRUMENTATION FITTINGS



Part No.  
HN 4N

### Product Coding

Male Pipe Size (inches)	Part Number	Working Pressure (psi)
1/8	HN 1N	9,000
1/4	HN 2N	7,000
3/8	HN 3N	6,800
1/2	HN 4N	6,500
3/4	HN 6N	6,300
1	HN 8N	4,400

### Other materials available:

Duplex F51  
Super Duplex F55/F53  
UNS31254 6MO  
Alloy 825  
Alloy 625  
Alloy 400  
Alloy C276  
Aluminium Bronze NES833

### Features

- Precision machined from quality European 316 Stainless Steel bar stock
- All pipe threads are National Pipe Taper (NPT) ANSI B2.1 (1968) as standard
- Working pressures are calculated in accordance with Power Piping Code ANSI B31.1 and Refiner Pipe Code ANSI B31.3  
10,000psi range available on request
- Sizes range from 1/8" to 1"
- Packaged to ensure maximum cleanliness and all exposed threads are protected to prevent damage during transport

# Instrumentation Pipe Fittings

## HEXAGON NIPPLE LONG

316 STAINLESS STEEL PRECISION INSTRUMENTATION FITTINGS



Part No.  
HNL 4N

### Product Coding

Male Pipe Size (inches)	Part Number	Working Pressure (psi)
1/8	HNL 1N	9,000
1/4	HNL 2N	7,000
3/8	HNL 3N	6,800
1/2	HNL 4N	6,500
3/4	HNL 6N	6,300
1	HNL 8N	4,400

### Additional Sizes:

Lengths: 3", 4" & 5" on request

### Other materials available:

Duplex F51  
Super Duplex F55/F53  
UNS31254 6MO  
Alloy 825  
Alloy 625  
Alloy 400  
Alloy C276  
Aluminium Bronze NES833

### Features

- Precision machined from quality European 316 Stainless Steel bar stock
- All pipe threads are National Pipe Taper (NPT) ANSI B2.1 (1968) as standard
- Working pressures are calculated in accordance with Power Piping Code ANSI B31.1 and Refiner Pipe Code ANSI B31.3  
10,000psi range available on request
- Sizes range from 1/8" to 1"
- Packaged to ensure maximum cleanliness and all exposed threads are protected to prevent damage during transport

# Instrumentation Pipe Fittings

## HEXAGON REDUCING NIPPLE

316 STAINLESS STEEL PRECISION INSTRUMENTATION FITTINGS



Part No.  
HRN 2.4N

Product Coding			
Reduced Male Pipe Size (Inches)	Male Pipe Size (Inches)	Part Number	Working Pressure (psi)
1/8	1/4	HRN 1.2N	7,000
1/8	3/8	HRN 1.3N	6,800
1/4	3/8	HRN 2.3N	6,800
1/8	1/2	HRN 1.4N	6,500
1/4	1/2	HRN 2.4N	6,500
1/2	3/8	HRN 3.4N	6,500
1/4	3/4	HRN 2.6N	6,300
1/2	3/4	HRN 4.6N	6,300
1/4	1	HRN 2.8N	4,400
1/2	1	HRN 4.8N	4,400
3/4	1	HRN 6.8N	4,400

### Other materials available:

Duplex F51  
 Super Duplex F55/F53  
 UNS31254 6MO  
 Alloy 825  
 Alloy 625  
 Alloy 400  
 Alloy C276  
 Aluminium Bronze NES833

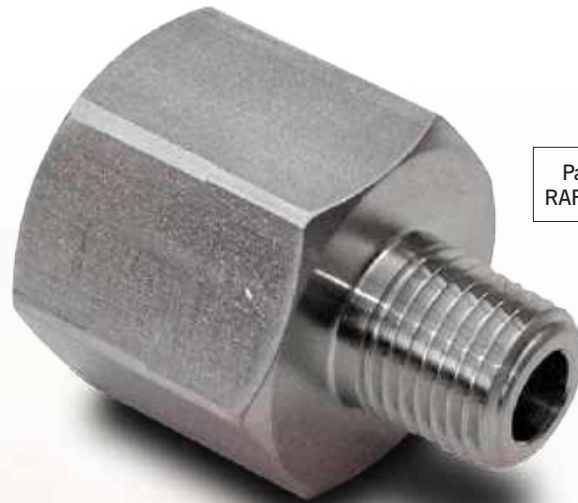
### Features

- Precision machined from quality European 316 Stainless Steel bar stock
- All pipe threads are National Pipe Taper (NPT) ANSI B2.1 (1968) as standard
- Working pressures are calculated in accordance with Power Piping Code ANSI B31.1 and Refiner Pipe Code ANSI B31.3  
10,000psi range available on request
- Sizes range from 1/8" to 1"
- Packaged to ensure maximum cleanliness and all exposed threads are protected to prevent damage during transport

# Instrumentation Pipe Fittings

## REDUCING ADAPTOR FEMALE TO MALE

316 STAINLESS STEEL PRECISION INSTRUMENTATION FITTINGS



Part No.  
RAFM 4.2N

Product Coding			
Female Pipe Size (Inches)	Reduced Male Pipe Size (Inches)	Part Number	Working Pressure (psi)
1/4	1/8	RAFM 2.1N	6,600
3/8	1/8	RAFM 3.1N	5,300
3/8	1/4	RAFM 3.2N	5,300
1/2	1/8	RAFM 4.1N	4,900
1/2	1/4	RAFM 4.2N	4,900
1/2	3/8	RAFM 4.3N	4,900
3/4	1/4	RAFM 6.2N	3,700
3/4	3/8	RAFM 6.3N	3,700
3/4	1/2	RAFM 6.4N	3,700
1	1/4	RAFM 8.2N	4,400
1	1/2	RAFM 8.4N	4,400
1	3/4	RAFM 8.6N	4,400

### Other materials available:

Duplex F51  
 Super Duplex F55/F53  
 UNS31254 6MO  
 Alloy 825  
 Alloy 625  
 Alloy 400  
 Alloy C276  
 Aluminium Bronze NES833

### Features

- Precision machined from quality European 316 Stainless Steel bar stock
- All pipe threads are National Pipe Taper (NPT) ANSI B2.1 (1968) as standard
- Working pressures are calculated in accordance with Power Piping Code ANSI B31.1 and Refiner Pipe Code ANSI B31.3  
10,000psi range available on request
- Sizes range from 1/8" to 1"
- Packaged to ensure maximum cleanliness and all exposed threads are protected to prevent damage during transport

# Instrumentation Pipe Fittings

## REDUCING BUSH MALE TO FEMALE

### 316 STAINLESS STEEL PRECISION INSTRUMENTATION FITTINGS



Product Coding			
Male Pipe Size (Inches)	Reduced Female Pipe Size (Inches)	Part Number	Working Pressure (psi)
1/4	1/8	RBMF 2.1N	5,600
3/8	1/8	RBMF 3.1N	8,000
3/8	1/4	RBMF 3.2N	5,300
1/2	1/8	RBMF 4.1N	11,000
1/2	1/4	RBMF 4.2N	7,000
1/2	3/8	RBMF 4.3N	4,300
3/4	1/4	RBMF 6.2N	10,500
3/4	3/8	RBMF 6.3N	7,200
3/4	1/2	RBMF 6.4N	4,900
1	1/4	RBMF 8.2N	13,000
1	1/2	RBMF 8.4N	7,400
1	3/4	RBMF 8.6N	3,400

#### Other materials available:

Duplex F51  
 Super Duplex F55/F53  
 UNS31254 6MO  
 Alloy 825  
 Alloy 625  
 Alloy 400  
 Alloy C276  
 Aluminium Bronze NES833

#### Features

- Precision machined from quality European 316 Stainless Steel bar stock
- All pipe threads are National Pipe Taper (NPT) ANSI B2.1 (1968) as standard
- Working pressures are calculated in accordance with Power Piping Code ANSI B31.1 and Refiner Pipe Code ANSI B31.3  
10,000psi range available on request
- Sizes range from 1/8" to 1"
- Packaged to ensure maximum cleanliness and all exposed threads are protected to prevent damage during transport

# Instrumentation Pipe Fittings

## BLANKING PLUG

316 STAINLESS STEEL PRECISION INSTRUMENTATION FITTINGS



### Product Coding

Male Pipe Size (Inches)	Part Number
1/8	BP 1N
1/4	BP 2N
3/8	BP 3N
1/2	BP 4N
3/4	BP 6N
1	BP 8N

### Other materials available:

Duplex F51  
Super Duplex F55/F53  
UNS31254 6MO  
Alloy 825  
Alloy 625  
Alloy 400  
Alloy C276  
Aluminium Bronze NES833

### Features

- Precision machined from quality European 316 Stainless Steel bar stock
- All pipe threads are National Pipe Taper (NPT) ANSI B2.1 (1968) as standard
- Working pressures are calculated in accordance with Power Piping Code ANSI B31.1 and Refiner Pipe Code ANSI B31.3  
10,000psi range available on request
- Sizes range from 1/8" to 1"
- Packaged to ensure maximum cleanliness and all exposed threads are protected to prevent damage during transport



# Instrumentation Pipe Fittings

## BLANKING CAP

316 STAINLESS STEEL PRECISION INSTRUMENTATION FITTINGS



Part No.  
BC 4N

### Product Coding

Female Pipe Size (Inches)	Part Number	Working Pressure (psi)
1/8	BC 1N	6,400
1/4	BC 2N	6,600
3/8	BC 3N	5,300
1/2	BC 4N	4,900
3/4	BC 6N	3,700
1	BC 8N	4,400

### Other materials available:

Duplex F51  
 Super Duplex F55/F53  
 UNS31254 6MO  
 Alloy 825  
 Alloy 625  
 Alloy 400  
 Alloy C276  
 Aluminium Bronze NES833

### Features

- Precision machined from quality European 316 Stainless Steel bar stock
- All pipe threads are National Pipe Taper (NPT) ANSI B2.1 (1968) as standard
- Working pressures are calculated in accordance with Power Piping Code ANSI B31.1 and Refiner Pipe Code ANSI B31.3  
10,000psi range available on request
- Sizes range from 1/8" to 1"
- Packaged to ensure maximum cleanliness and all exposed threads are protected to prevent damage during transport

# Instrumentation Pipe Fittings

## VENT PLUG

316 STAINLESS STEEL PRECISION INSTRUMENTATION FITTINGS

Part No.  
VP 4N



### Product Coding

Male Pipe Size (Inches)	Part Number
1/8	VP 1N
1/4	VP 2N
1/2	VP 4N
3/4	VP 6N
1	VP 8N

### Other materials available:

Duplex F51  
Super Duplex F55/F53  
UNS31254 6MO  
Alloy 825  
Alloy 625  
Alloy 400  
Alloy C276  
Aluminium Bronze NES833

### Features

- Precision machined from quality European 316 Stainless Steel bar stock
- All pipe threads are National Pipe Taper (NPT) ANSI B2.1 (1968) as standard
- Working pressures are calculated in accordance with Power Piping Code ANSI B31.1 and Refiner Pipe Code ANSI B31.3  
10,000psi range available on request
- Sizes range from 1/8" to 1"
- Packaged to ensure maximum cleanliness and all exposed threads are protected to prevent damage during transport

# Instrumentation Pipe Fittings

## CAPTIVE VENT PLUG

316 STAINLESS STEEL PRECISION INSTRUMENTATION FITTINGS

Part No.  
CVP 2N



### Product Coding

Male Pipe Size (Inches)	Part Number
1/8	CVP 1N
1/4	CVP 2N
1/2	CVP 4N
3/4	CVP 6N
1	CVP 8N

### Other materials available:

Duplex F51  
Super Duplex F55/F53  
UNS31254 6MO  
Alloy 825  
Alloy 625  
Alloy 400  
Alloy C276  
Aluminium Bronze NES833

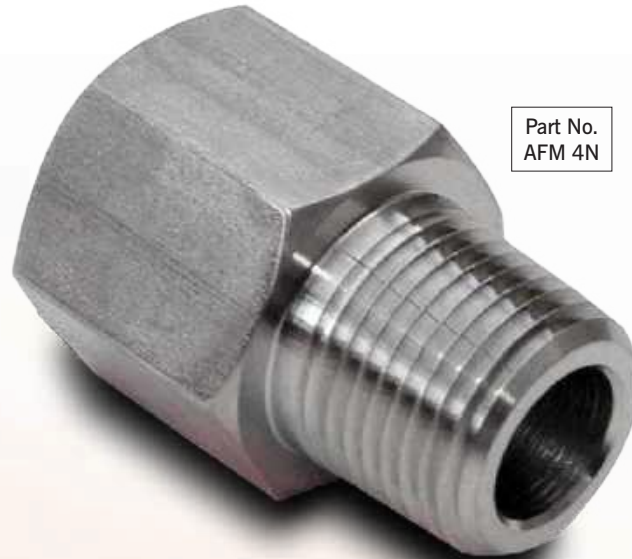
### Features

- Precision machined from quality European 316 Stainless Steel bar stock
- All pipe threads are National Pipe Taper (NPT) ANSI B2.1 (1968) as standard
- Working pressures are calculated in accordance with Power Piping Code ANSI B31.1 and Refiner Pipe Code ANSI B31.3  
10,000psi range available on request
- Sizes range from 1/8" to 1"
- Packaged to ensure maximum cleanliness and all exposed threads are protected to prevent damage during transport

# Instrumentation Pipe Fittings

## ADAPTER FEMALE TO MALE

316 STAINLESS STEEL PRECISION INSTRUMENTATION FITTINGS



Part No.  
AFM 4N

### Product Coding

Pipe Size (Inches)	Part Number	Working Pressure (psi)
1/8	AFM 1N	6,400
1/4	AFM 2N	6,600
3/8	AFM 3N	5,300
1/2	AFM 4N	4,900
3/4	AFM 6N	3,700
1	AFM 8N	4,400

### Other materials available:

Duplex F51  
Super Duplex F55/F53  
UNS31254 6MO  
Alloy 825  
Alloy 625  
Alloy 400  
Alloy C276  
Aluminium Bronze NES833

### Features

- Precision machined from quality European 316 Stainless Steel bar stock
- All pipe threads are National Pipe Taper (NPT) ANSI B2.1 (1968) as standard
- Working pressures are calculated in accordance with Power Piping Code ANSI B31.1 and Refiner Pipe Code ANSI B31.3  
10,000psi range available on request
- Sizes range from 1/8" to 1"
- Packaged to ensure maximum cleanliness and all exposed threads are protected to prevent damage during transport

# Instrumentation Pipe Fittings

## HEXAGON COUPLING

316 STAINLESS STEEL PRECISION INSTRUMENTATION FITTINGS



Part No.  
HC 4N

### Product Coding

Female Pipe Size (Inches)	Part Number	Working Pressure (psi)
1/8	HC 1N	6,400
1/4	HC 2N	6,600
3/8	HC 3N	5,300
1/2	HC 4N	4,900
3/4	HC 6N	3,700
1	HC 8N	4,400

### Other materials available:

Duplex F51  
Super Duplex F55/F53  
UNS31254 6MO  
Alloy 825  
Alloy 625  
Alloy 400  
Alloy C276  
Aluminium Bronze NES833

### Features

- Precision machined from quality European 316 Stainless Steel bar stock
- All pipe threads are National Pipe Taper (NPT) ANSI B2.1 (1968) as standard
- Working pressures are calculated in accordance with Power Piping Code ANSI B31.1 and Refiner Pipe Code ANSI B31.3  
10,000psi range available on request
- Sizes range from 1/8" to 1"
- Packaged to ensure maximum cleanliness and all exposed threads are protected to prevent damage during transport

# Instrumentation Pipe Fittings

## HEXAGON REDUCING UNION

316 STAINLESS STEEL PRECISION INSTRUMENTATION FITTINGS



Part No.  
HRU 4.2N

Product Coding			
Female Pipe Size (Inches)	Reduced Female Pipe Size (Inches)	Part Number	Working Pressure (psi)
1/4	1/8	HRU 2.1N	6,600
3/8	1/4	HRU 3.2N	5,300
1/2	1/8	HRU 4.1N	4,900
1/2	1/4	HRU 4.2N	4,900
1/2	3/8	HRU 4.3N	4,900
3/4	1/4	HRU 6.2N	3,700
3/4	1/2	HRU 6.4N	3,700
1	1/4	HRU 8.2N	4,400
1	1/2	HRU 8.4N	4,400
1	3/4	HRU 8.6N	4,400

### Other materials available:

Duplex F51  
Super Duplex F55/F53  
UNS31254 6MO  
Alloy 825  
Alloy 625  
Alloy 400  
Alloy C276  
Aluminium Bronze NES833

### Features

- Precision machined from quality European 316 Stainless Steel bar stock
- All pipe threads are National Pipe Taper (NPT) ANSI B2.1 (1968) as standard
- Working pressures are calculated in accordance with Power Piping Code ANSI B31.1 and Refiner Pipe Code ANSI B31.3  
10,000psi range available on request
- Sizes range from 1/8" to 1"
- Packaged to ensure maximum cleanliness and all exposed threads are protected to prevent damage during transport

# Instrumentation Pipe Fittings

## EQUAL MALE ELBOW

316 STAINLESS STEEL PRECISION INSTRUMENTATION FITTINGS



Part No.  
EME 4N

Product Coding		
Male Pipe Size (Inches)	Part Number	Working Pressure (psi)
1/8	EME 1N	9,000
1/4	EME 2N	7,000
3/8	EME 3N	6,900
1/2	EME 4N	5,700
3/4	EME 6N	5,000

### Other materials available:

Duplex F51  
Super Duplex F55/F53  
UNS31254 6MO  
Alloy 825  
Alloy 625  
Alloy 400  
Alloy C276  
Aluminium Bronze NES833

### Features

- Precision machined from quality European 316 Stainless Steel close grain forgings
- All pipe threads are National Pipe Taper (NPT) ANSI B2.1 (1968) as standard
- Working pressures are calculated in accordance with Power Piping Code ANSI B31.1 and Refiner Pipe Code ANSI B31.3  
10,000psi range available on request
- Sizes range from 1/8" to 3/4"
- Packaged to ensure maximum cleanliness and all exposed threads are protected to prevent damage during transport

# Instrumentation Pipe Fittings

## FEMALE ELBOW

316 STAINLESS STEEL PRECISION INSTRUMENTATION FITTINGS



### Product Coding

Female Pipe Size (Inches)	Part Number	Working Pressure (psi)
1/8	FE 1N	5,000
1/4	FE 2N	5,600
3/8	FE 3N	4,500
1/2	FE 4N	4,100
3/4	FE 6N	3,000

### Other materials available:

Duplex F51  
 Super Duplex F55/F53  
 UNS31254 6MO  
 Alloy 825  
 Alloy 625  
 Alloy 400  
 Alloy C276  
 Aluminium Bronze NES833

### Features

- Precision machined from quality European 316 Stainless Steel close grain forgings
- All pipe threads are National Pipe Taper (NPT) ANSI B2.1 (1968) as standard
- Working pressures are calculated in accordance with Power Piping Code ANSI B31.1 and Refiner Pipe Code ANSI B31.3  
 10,000psi range available on request
- Sizes range from 1/8" to 3/4"
- Packaged to ensure maximum cleanliness and all exposed threads are protected to prevent damage during transport



# Instrumentation Pipe Fittings

## STREET ELBOW

316 STAINLESS STEEL PRECISION INSTRUMENTATION FITTINGS



Part No.  
SE 4N

Product Coding			
Male Pipe Size (Inches)	Female Pipe Size (Inches)	Part Number	Working Pressure (psi)
1/8	1/8	SE 1N	5,500
1/4	1/8	SE 2.1N	5,600
1/4	1/4	SE 2N	5,600
3/8	3/8	SE 3N	5,000
1/2	1/2	SE 4N	4,500
3/4	3/4	SE 6N	3,500

### Other materials available:

Duplex F51  
 Super Duplex F55/F53  
 UNS31254 6MO  
 Alloy 825  
 Alloy 625  
 Alloy 400  
 Alloy C276  
 Aluminium Bronze NES833

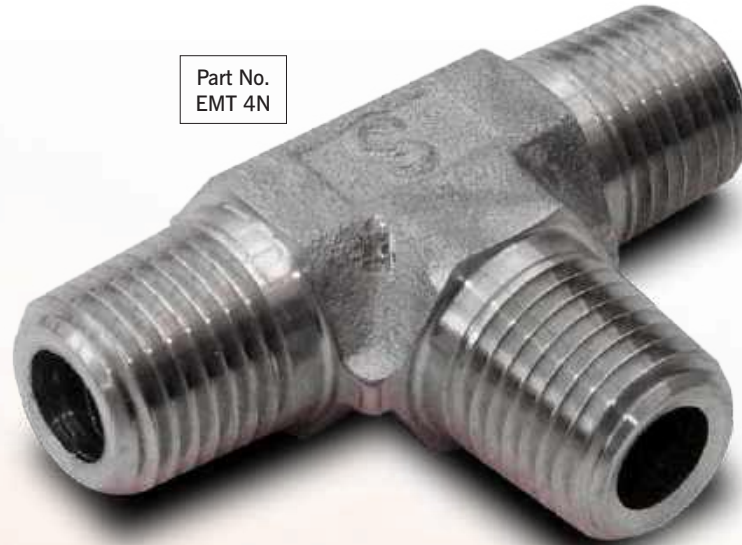
### Features

- Precision machined from quality European 316 Stainless Steel close grain forgings
- All pipe threads are National Pipe Taper (NPT) ANSI B2.1 (1968) as standard
- Working pressures are calculated in accordance with Power Piping Code ANSI B31.1 and Refiner Pipe Code ANSI B31.3  
10,000psi range available on request
- Sizes range from 1/8" to 3/4"
- Packaged to ensure maximum cleanliness and all exposed threads are protected to prevent damage during transport

# Instrumentation Pipe Fittings

## EQUAL MALE TEE

316 STAINLESS STEEL PRECISION INSTRUMENTATION FITTINGS



Part No.  
EMT 4N

### Product Coding

Male Pipe Size (Inches)	Part Number	Working Pressure (psi)
1/8	EMT 1N	9,100
1/4	EMT 2N	7,500
3/8	EMT 3N	7,200
1/2	EMT 4N	5,800
3/4	EMT 6N	4,500

### Other materials available:

Duplex F51  
Super Duplex F55/F53  
UNS31254 6MO  
Alloy 825  
Alloy 625  
Alloy 400  
Alloy C276  
Aluminium Bronze NES833

### Features

- Precision machined from quality European 316 Stainless Steel close grain forgings
- All pipe threads are National Pipe Taper (NPT) ANSI B2.1 (1968) as standard
- Working pressures are calculated in accordance with Power Piping Code ANSI B31.1 and Refiner Pipe Code ANSI B31.3  
10,000psi range available on request
- Sizes range from 1/8" to 3/4"
- Packaged to ensure maximum cleanliness and all exposed threads are protected to prevent damage during transport

# Instrumentation Pipe Fittings

## FEMALE EQUAL TEE

316 STAINLESS STEEL PRECISION INSTRUMENTATION FITTINGS



Product Coding		
Female Pipe Size (Inches)	Part Number	Working Pressure (psi)
1/8	FET 1N	5,000
1/4	FET 2N	5,600
3/8	FET 3N	4,500
1/2	FET 4N	4,100
3/4	FET 6N	3,000

### Other materials available:

Duplex F51  
Super Duplex F55/F53  
UNS31254 6MO  
Alloy 825  
Alloy 625  
Alloy 400  
Alloy C276  
Aluminium Bronze NES833

### Features

- Precision machined from quality European 316 Stainless Steel close grain forgings
- All pipe threads are National Pipe Taper (NPT) ANSI B2.1 (1968) as standard
- Working pressures are calculated in accordance with Power Piping Code ANSI B31.1 and Refiner Pipe Code ANSI B31.3  
10,000psi range available on request
- Sizes range from 1/8" to 3/4"
- Packaged to ensure maximum cleanliness and all exposed threads are protected to prevent damage during transport

# Instrumentation Pipe Fittings

## STREET TEE

316 STAINLESS STEEL PRECISION INSTRUMENTATION FITTINGS



Part No.  
ST 4N

### Product Coding

Male Pipe Size (Inches)	Female Pipe Size (Inches)	Part Number	Working Pressure (psi)
1/8	1/8	ST 1N	5,500
1/4	1/4	ST 2N	5,600
3/8	3/8	ST 3N	5,000
1/2	1/2	ST 4N	4,500
3/4	3/4	ST 6N	4,100

### Other materials available:

Duplex F51  
 Super Duplex F55/F53  
 UNS31254 6MO  
 Alloy 825  
 Alloy 625  
 Alloy 400  
 Alloy C276  
 Aluminium Bronze NES833

### Features

- Precision machined from quality European 316 Stainless Steel close grain forgings
- All pipe threads are National Pipe Taper (NPT) ANSI B2.1 (1968) as standard
- Working pressures are calculated in accordance with Power Piping Code ANSI B31.1 and Refiner Pipe Code ANSI B31.3  
10,000psi range available on request
- Sizes range from 1/8" to 3/4"
- Packaged to ensure maximum cleanliness and all exposed threads are protected to prevent damage during transport

# Instrumentation Pipe Fittings

## CONVERSION DATA

Imperial Tube Dimensions	
INCHES	MM
1/16	1.588
1/8	3.175
3/16	4.763
1/4	6.350
5/16	7.938
3/8	9.525
1/2	12.700
5/8	15.875
3/4	19.050
7/8	22.225

SS Pipe Dimensions ANSI B36-10	
NOMINAL PIPE SIZE	OUTSIDE DIAMETER (INCHES)
1/8	0.405
1/4	0.540
3/8	0.675
1/2	0.840
3/4	1.050
1	1.315

mm to Inch Equivalent			
MM	INCH	MM	INCH
1	.039	14	.551
2	.079	15	.590
3	.118	16	.630
4	.157	17	.669
5	.197	18	.709
6	.236	19	.748
7	.276	20	.787
8	.315	21	.827
9	.354	22	.866
10	.394	23	.905
11	.433	24	.944
12	.472	25	.984
13	.512	25.4	1.0

Temperature Conversion Table	
°C	°F
-200	-328
-180	-292
-160	-256
-140	-220
-120	-184
-100	-148
-80	-112
-60	-76
-40	-40
-20	-4
0	32
20	68
40	104
60	140
80	176
100	212
120	248
140	284
160	320
180	356
200	392
220	428
240	464
260	500
280	536
300	572
320	608
340	644
360	680
380	716
400	752
420	788
440	824
460	860
480	896
500	932
520	968
540	1044
560	1040
580	1076
600	1112
620	1148
640	1184
660	1220
680	1256
700	1292
720	1328
740	1364
760	1400
780	1436
800	1472

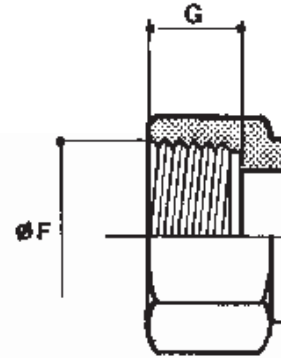
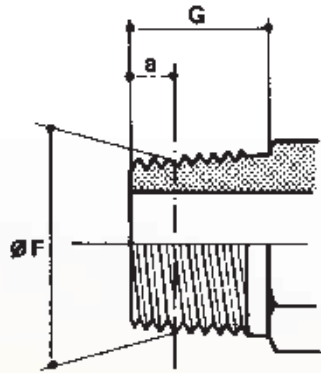
Decimal Equivalents	
8ths	Decimal
1/8	.125
1/4	.250
3/8	.375
1/2	.500
5/8	.625
3/4	.750
7/8	.875
16ths	Decimal
1/16	.0625
3/16	.1875
5/16	.3125
7/16	.4375
9/16	.5625
11/16	.6875
13/16	.8125
15/16	.9375
32nds	Decimal
1/32	.03125
3/32	.09375
5/32	.15625
7/32	.21875
9/32	.28125
11/32	.34375
13/32	.40625
15/32	.46875
17/32	.53125
19/32	.59375
21/32	.65625
23/32	.71875
25/32	.78125
27/32	.84375
29/32	.90625
31/32	.96875

Decimal Equivalents	
64ths	Decimal
1/64	.015625
3/64	.046845
5/64	.078125
7/64	.109375
9/64	.140625
11/64	.171875
13/64	.203125
15/64	.234375
17/64	.265625
19/64	.296875
21/64	.328125
23/64	.359375
25/64	.390625
27/64	.421875
29/64	.453125
31/64	.484375
33/64	.515625
35/64	.546875
37/64	.578125
39/64	.609375
41/64	.640625
43/64	.671875
45/64	.703125
47/64	.734375
49/64	.765625
51/64	.796875
53/64	.828125
55/64	.859375
57/64	.890625
59/64	.921875
61/64	.953125
63/64	.984375

Temperature conversion formula:  
 °C = 5/9 (°F-32)  
 °F = 9/5 °C+32

# Instrumentation Pipe Fittings

## STANDARD THREAD SIZES

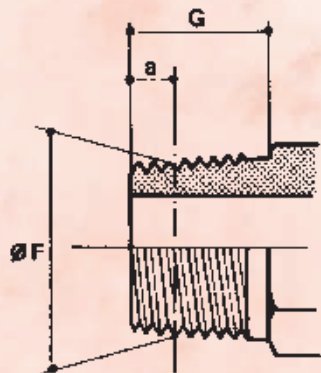


**NPT - ANSI B2.1**

INCHES	ØF	THREAD TO INCH	A	G
1/8	10.2	27	4.5	9.5
1/4	13.5	18	5.0	14.3
3/8	17.0	18	6.0	14.3
1/2	21.2	14	8.1	19.1
3/4	26.5	14	8.6	19.1
1	33.2	11 1/2	10.1	23.8
1 1/4	41.9	11 1/2	10.6	23.8
1 1/2	48.0	11 1/2	10.6	26.2

**NPT - ANSI B2.1**

INCHES	ØF	THREAD TO INCH	G
1/8	10.2	27	9.5
1/4	13.5	18	14.3
3/8	17.0	18	14.3
1/2	21.2	14	19.1

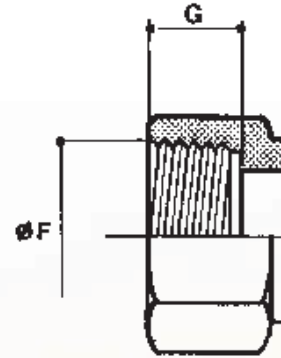
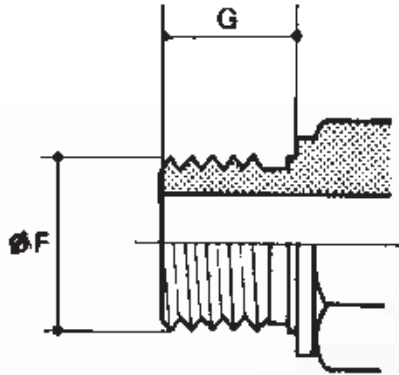


**BSP Taper B.S.21 - 1985**

INCHES	MM	ØF	THREAD TO INCH	A	G
1/8	5.10	9.7	28	4.0	9.5
1/4	8.13	13.1	19	6.0	14.3
3/8	12.17	16.6	19	6.4	14.3
1/2	15.21	20.9	14	8.2	19.1
3/4	21.27	26.4	14	9.5	19.1
1	26.34	33.2	11	10.4	23.8
1 1/4	33.42	41.9	11	12.7	23.8
1 1/2	40.49	47.8	11	12.7	26.2
2	59.60	59.6	11	15.9	27.0

# Instrumentation Pipe Fittings

## STANDARD THREAD SIZES

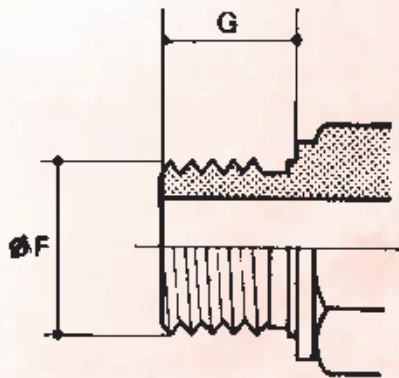


**BSP Parallel B.S.2779 - 1973**

INCHES	MM	ØF	THREAD TO INCH	G
1/8	5.10	9.7	28	8
1/4	8.13	13.1	19	10
3/8	12.17	16.6	19	10
1/2	15.21	20.9	14	12
3/4	21.17	26.4	14	16
1	26.34	33.2	11	16
1 1/4	33.42	41.9	11	18
1 1/2	40.49	47.8	11	18
2	50.60	59.6	11	20

**BSP Parallel B.S.2779 - 1973**

INCHES	MM	ØF	THREAD TO INCH	G
1/8	5.10	9.7	28	8.0
1/4	8.13	13.1	19	11.0
3/8	12.17	16.6	19	11.4
1/2	15.21	20.9	14	15.0
3/4	21.27	26.4	14	16.3
1	26.34	33.2	11	19.1
1 1/4	33.42	41.9	11	21.4
1 1/2	40.49	47.8	11	21.4



**ISO Metric**

ØF	G	ØF	G
8 x 100	8	24 x 150	14
10 x 100	8	26 x 150	16
12 x 100	8	27 x 150	16
12 x 125	8	30 x 200	16
12 x 150	10	33 x 150	16
14 x 125	10	33 x 200	16
14 x 150	10	39 x 200	18
16 x 150	10	42 x 200	18
18 x 150	12	45 x 200	18
20 x 150	12	48 x 200	18

# Hydraulic & Offshore SUPPLIES



Offshore House, Southwick Industrial Estate, Sunderland, SR5 3TX  
hos@hos.co.uk | [www.hos.co.uk](http://www.hos.co.uk)

