



Hydraulic & Offshore Supplies

t: +44(0)191 549 7335

e: hose@hos.co.uk

w: www.hos.co.uk

Instrumentation Pipe Fittings



INDEX

| | |
|--|----|
| HN Hexagon Nipple | 3 |
| HNL Hexagon Nipple Long - 2" | 4 |
| HRN Hexagon Reducing Nipple | 5 |
| RAFM Reducing Adapter Female to Male | 6 |
| RBMF Reducing Bush Male to Female | 7 |
| BP Blanking Plug | 8 |
| BC Blanking Cap | 9 |
| VP Vent Plug | 10 |
| CVP Captive Vent Plug | 11 |
| AFM Adapter Female to Male | 12 |
| HC Hexagon Coupling | 13 |
| HRU Hexagon Reducing Union | 14 |
| EME Equal Male Elbow | 15 |
| FE Female Elbow | 16 |
| SE Street Elbow | 17 |
| EMT Equal Male Tee | 18 |
| FET Female Equal Tee | 19 |
| ST Street Tee | 20 |
| Conversion data | 21 |
| Standard Thread Sizes | 22 |

Instrumentation Pipe Fittings

HEXAGON NIPPLE - HN

316 STAINLESS STEEL PRECISION INSTRUMENTATION FITTINGS



Part No.
HN 4N

Product Coding

| Male Pipe Size (inches) | Part Number | Working Pressure (psi) |
|-------------------------|-------------|------------------------|
| 1/8 | HN 1N | 9,000 |
| 1/4 | HN 2N | 7,000 |
| 3/8 | HN 3N | 6,800 |
| 1/2 | HN 4N | 6,500 |
| 3/4 | HN 6N | 6,300 |
| 1 | HN 8N | 4,400 |

Other materials available:

Duplex F51
Super Duplex F55/F53
UNS31254 6MO
Alloy 825
Alloy 625
Alloy 400
Alloy C276
Aluminium Bronze NES833

Features

- Precision machined from quality European 316 Stainless Steel bar stock
- All pipe threads are National Pipe Taper (NPT) ANSI B2.1 (1968) as standard
- Working pressures are calculated in accordance with Power Piping Code ANSI B31.1 and Refiner Pipe Code ANSI B31.3
10,000psi range available on request
- Sizes range from 1/8" to 1"
- Packaged to ensure maximum cleanliness and all exposed threads are protected to prevent damage during transport

Instrumentation Pipe Fittings

HEXAGON NIPPLE LONG

316 STAINLESS STEEL PRECISION INSTRUMENTATION FITTINGS



Part No.
HNL 4N

Product Coding

| Male Pipe Size (inches) | Part Number | Working Pressure (psi) |
|-------------------------|-------------|------------------------|
| 1/8 | HNL 1N | 9,000 |
| 1/4 | HNL 2N | 7,000 |
| 3/8 | HNL 3N | 6,800 |
| 1/2 | HNL 4N | 6,500 |
| 3/4 | HNL 6N | 6,300 |
| 1 | HNL 8N | 4,400 |

Additional Sizes:

Lengths: 3", 4" & 5" on request

Other materials available:

Duplex F51
Super Duplex F55/F53
UNS31254 6MO
Alloy 825
Alloy 625
Alloy 400
Alloy C276
Aluminium Bronze NES833

Features

- Precision machined from quality European 316 Stainless Steel bar stock
- All pipe threads are National Pipe Taper (NPT) ANSI B2.1 (1968) as standard
- Working pressures are calculated in accordance with Power Piping Code ANSI B31.1 and Refiner Pipe Code ANSI B31.3
10,000psi range available on request
- Sizes range from 1/8" to 1"
- Packaged to ensure maximum cleanliness and all exposed threads are protected to prevent damage during transport

Instrumentation Pipe Fittings

HEXAGON REDUCING NIPPLE

316 STAINLESS STEEL PRECISION INSTRUMENTATION FITTINGS



Part No.
HRN 2.4N

| Product Coding | | | |
|---------------------------------|-------------------------|-------------|------------------------|
| Reduced Male Pipe Size (Inches) | Male Pipe Size (Inches) | Part Number | Working Pressure (psi) |
| 1/8 | 1/4 | HRN 1.2N | 7,000 |
| 1/8 | 3/8 | HRN 1.3N | 6,800 |
| 1/4 | 3/8 | HRN 2.3N | 6,800 |
| 1/8 | 1/2 | HRN 1.4N | 6,500 |
| 1/4 | 1/2 | HRN 2.4N | 6,500 |
| 1/2 | 3/8 | HRN 3.4N | 6,500 |
| 1/4 | 3/4 | HRN 2.6N | 6,300 |
| 1/2 | 3/4 | HRN 4.6N | 6,300 |
| 1/4 | 1 | HRN 2.8N | 4,400 |
| 1/2 | 1 | HRN 4.8N | 4,400 |
| 3/4 | 1 | HRN 6.8N | 4,400 |

Other materials available:

Duplex F51
Super Duplex F55/F53
UNS31254 6MO
Alloy 825
Alloy 625
Alloy 400
Alloy C276
Aluminium Bronze NES833

Features

- Precision machined from quality European 316 Stainless Steel bar stock
- All pipe threads are National Pipe Taper (NPT) ANSI B2.1 (1968) as standard
- Working pressures are calculated in accordance with Power Piping Code ANSI B31.1 and Refiner Pipe Code ANSI B31.3
10,000psi range available on request
- Sizes range from 1/8" to 1"
- Packaged to ensure maximum cleanliness and all exposed threads are protected to prevent damage during transport

Instrumentation Pipe Fittings

REDUCING ADAPTOR FEMALE TO MALE

316 STAINLESS STEEL PRECISION INSTRUMENTATION FITTINGS



Part No.
RAFM 4.2N

| Product Coding | | | |
|---------------------------|---------------------------------|-------------|------------------------|
| Female Pipe Size (Inches) | Reduced Male Pipe Size (Inches) | Part Number | Working Pressure (psi) |
| 1/4 | 1/8 | RAFM 2.1N | 6,600 |
| 3/8 | 1/8 | RAFM 3.1N | 5,300 |
| 3/8 | 1/4 | RAFM 3.2N | 5,300 |
| 1/2 | 1/8 | RAFM 4.1N | 4,900 |
| 1/2 | 1/4 | RAFM 4.2N | 4,900 |
| 1/2 | 3/8 | RAFM 4.3N | 4,900 |
| 3/4 | 1/4 | RAFM 6.2N | 3,700 |
| 3/4 | 3/8 | RAFM 6.3N | 3,700 |
| 3/4 | 1/2 | RAFM 6.4N | 3,700 |
| 1 | 1/4 | RAFM 8.2N | 4,400 |
| 1 | 1/2 | RAFM 8.4N | 4,400 |
| 1 | 3/4 | RAFM 8.6N | 4,400 |

Other materials available:

Duplex F51
 Super Duplex F55/F53
 UNS31254 6MO
 Alloy 825
 Alloy 625
 Alloy 400
 Alloy C276
 Aluminium Bronze NES833

Features

- Precision machined from quality European 316 Stainless Steel bar stock
- All pipe threads are National Pipe Taper (NPT) ANSI B2.1 (1968) as standard
- Working pressures are calculated in accordance with Power Piping Code ANSI B31.1 and Refiner Pipe Code ANSI B31.3
10,000psi range available on request
- Sizes range from 1/8" to 1"
- Packaged to ensure maximum cleanliness and all exposed threads are protected to prevent damage during transport

Instrumentation Pipe Fittings

REDUCING BUSH MALE TO FEMALE

316 STAINLESS STEEL PRECISION INSTRUMENTATION FITTINGS



| Product Coding | | | |
|-------------------------|-----------------------------------|-------------|------------------------|
| Male Pipe Size (Inches) | Reduced Female Pipe Size (Inches) | Part Number | Working Pressure (psi) |
| 1/4 | 1/8 | RBMF 2.1N | 5,600 |
| 3/8 | 1/8 | RBMF 3.1N | 8,000 |
| 3/8 | 1/4 | RBMF 3.2N | 5,300 |
| 1/2 | 1/8 | RBMF 4.1N | 11,000 |
| 1/2 | 1/4 | RBMF 4.2N | 7,000 |
| 1/2 | 3/8 | RBMF 4.3N | 4,300 |
| 3/4 | 1/4 | RBMF 6.2N | 10,500 |
| 3/4 | 3/8 | RBMF 6.3N | 7,200 |
| 3/4 | 1/2 | RBMF 6.4N | 4,900 |
| 1 | 1/4 | RBMF 8.2N | 13,000 |
| 1 | 1/2 | RBMF 8.4N | 7,400 |
| 1 | 3/4 | RBMF 8.6N | 3,400 |

Other materials available:

Duplex F51
 Super Duplex F55/F53
 UNS31254 6MO
 Alloy 825
 Alloy 625
 Alloy 400
 Alloy C276
 Aluminium Bronze NES833

Features

- Precision machined from quality European 316 Stainless Steel bar stock
- All pipe threads are National Pipe Taper (NPT) ANSI B2.1 (1968) as standard
- Working pressures are calculated in accordance with Power Piping Code ANSI B31.1 and Refiner Pipe Code ANSI B31.3
10,000psi range available on request
- Sizes range from 1/8" to 1"
- Packaged to ensure maximum cleanliness and all exposed threads are protected to prevent damage during transport

Instrumentation Pipe Fittings

BLANKING PLUG

316 STAINLESS STEEL PRECISION INSTRUMENTATION FITTINGS



Part No.
BP 4N

Product Coding

| Male Pipe Size (Inches) | Part Number |
|-------------------------|-------------|
| 1/8 | BP 1N |
| 1/4 | BP 2N |
| 3/8 | BP 3N |
| 1/2 | BP 4N |
| 3/4 | BP 6N |
| 1 | BP 8N |

Other materials available:

Duplex F51
Super Duplex F55/F53
UNS31254 6MO
Alloy 825
Alloy 625
Alloy 400
Alloy C276
Aluminium Bronze NES833

Features

- Precision machined from quality European 316 Stainless Steel bar stock
- All pipe threads are National Pipe Taper (NPT) ANSI B2.1 (1968) as standard
- Working pressures are calculated in accordance with Power Piping Code ANSI B31.1 and Refiner Pipe Code ANSI B31.3
10,000psi range available on request
- Sizes range from 1/8" to 1"
- Packaged to ensure maximum cleanliness and all exposed threads are protected to prevent damage during transport

Instrumentation Pipe Fittings

BLANKING CAP

316 STAINLESS STEEL PRECISION INSTRUMENTATION FITTINGS



Part No.
BC 4N

Product Coding

| Female Pipe Size (Inches) | Part Number | Working Pressure (psi) |
|---------------------------|-------------|------------------------|
| 1/8 | BC 1N | 6,400 |
| 1/4 | BC 2N | 6,600 |
| 3/8 | BC 3N | 5,300 |
| 1/2 | BC 4N | 4,900 |
| 3/4 | BC 6N | 3,700 |
| 1 | BC 8N | 4,400 |

Other materials available:

Duplex F51
Super Duplex F55/F53
UNS31254 6MO
Alloy 825
Alloy 625
Alloy 400
Alloy C276
Aluminium Bronze NES833

Features

- Precision machined from quality European 316 Stainless Steel bar stock
- All pipe threads are National Pipe Taper (NPT) ANSI B2.1 (1968) as standard
- Working pressures are calculated in accordance with Power Piping Code ANSI B31.1 and Refiner Pipe Code ANSI B31.3
10,000psi range available on request
- Sizes range from 1/8" to 1"
- Packaged to ensure maximum cleanliness and all exposed threads are protected to prevent damage during transport

Instrumentation Pipe Fittings

VENT PLUG

316 STAINLESS STEEL PRECISION INSTRUMENTATION FITTINGS

Part No.
VP 4N



Product Coding

| Male Pipe Size (Inches) | Part Number |
|-------------------------|-------------|
| 1/8 | VP 1N |
| 1/4 | VP 2N |
| 1/2 | VP 4N |
| 3/4 | VP 6N |
| 1 | VP 8N |

Other materials available:

Duplex F51
Super Duplex F55/F53
UNS31254 6MO
Alloy 825
Alloy 625
Alloy 400
Alloy C276
Aluminium Bronze NES833

Features

- Precision machined from quality European 316 Stainless Steel bar stock
- All pipe threads are National Pipe Taper (NPT) ANSI B2.1 (1968) as standard
- Working pressures are calculated in accordance with Power Piping Code ANSI B31.1 and Refiner Pipe Code ANSI B31.3
10,000psi range available on request
- Sizes range from 1/8" to 1"
- Packaged to ensure maximum cleanliness and all exposed threads are protected to prevent damage during transport

Instrumentation Pipe Fittings

CAPTIVE VENT PLUG

316 STAINLESS STEEL PRECISION INSTRUMENTATION FITTINGS

Part No.
CVP 2N



Product Coding

| Male Pipe Size (Inches) | Part Number |
|-------------------------|-------------|
| 1/8 | CVP 1N |
| 1/4 | CVP 2N |
| 1/2 | CVP 4N |
| 3/4 | CVP 6N |
| 1 | CVP 8N |

Other materials available:

Duplex F51
 Super Duplex F55/F53
 UNS31254 6MO
 Alloy 825
 Alloy 625
 Alloy 400
 Alloy C276
 Aluminium Bronze NES833

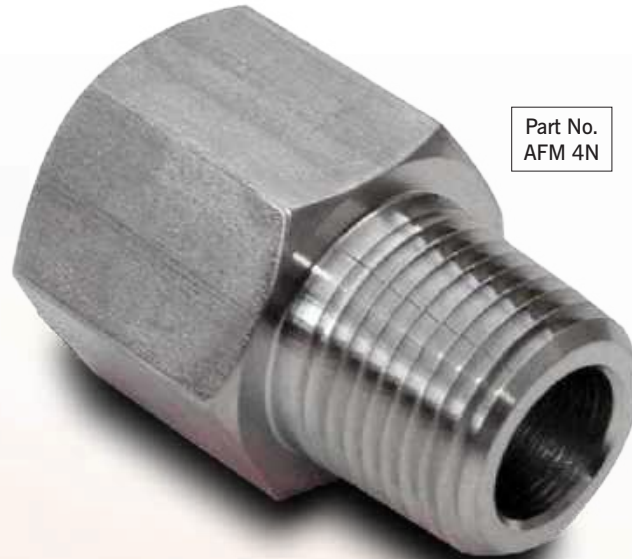
Features

- Precision machined from quality European 316 Stainless Steel bar stock
- All pipe threads are National Pipe Taper (NPT) ANSI B2.1 (1968) as standard
- Working pressures are calculated in accordance with Power Piping Code ANSI B31.1 and Refiner Pipe Code ANSI B31.3
10,000psi range available on request
- Sizes range from 1/8" to 1"
- Packaged to ensure maximum cleanliness and all exposed threads are protected to prevent damage during transport

Instrumentation Pipe Fittings

ADAPTER FEMALE TO MALE

316 STAINLESS STEEL PRECISION INSTRUMENTATION FITTINGS



Part No.
AFM 4N

Product Coding

| Pipe Size (Inches) | Part Number | Working Pressure (psi) |
|--------------------|-------------|------------------------|
| 1/8 | AFM 1N | 6,400 |
| 1/4 | AFM 2N | 6,600 |
| 3/8 | AFM 3N | 5,300 |
| 1/2 | AFM 4N | 4,900 |
| 3/4 | AFM 6N | 3,700 |
| 1 | AFM 8N | 4,400 |

Other materials available:

Duplex F51
Super Duplex F55/F53
UNS31254 6MO
Alloy 825
Alloy 625
Alloy 400
Alloy C276
Aluminium Bronze NES833

Features

- Precision machined from quality European 316 Stainless Steel bar stock
- All pipe threads are National Pipe Taper (NPT) ANSI B2.1 (1968) as standard
- Working pressures are calculated in accordance with Power Piping Code ANSI B31.1 and Refiner Pipe Code ANSI B31.3
10,000psi range available on request
- Sizes range from 1/8" to 1"
- Packaged to ensure maximum cleanliness and all exposed threads are protected to prevent damage during transport

Instrumentation Pipe Fittings

HEXAGON COUPLING

316 STAINLESS STEEL PRECISION INSTRUMENTATION FITTINGS



Part No.
HC 4N

| Product Coding | | |
|---------------------------|-------------|------------------------|
| Female Pipe Size (Inches) | Part Number | Working Pressure (psi) |
| 1/8 | HC 1N | 6,400 |
| 1/4 | HC 2N | 6,600 |
| 3/8 | HC 3N | 5,300 |
| 1/2 | HC 4N | 4,900 |
| 3/4 | HC 6N | 3,700 |
| 1 | HC 8N | 4,400 |

Other materials available:

Duplex F51
 Super Duplex F55/F53
 UNS31254 6MO
 Alloy 825
 Alloy 625
 Alloy 400
 Alloy C276
 Aluminium Bronze NES833

Features

- Precision machined from quality European 316 Stainless Steel bar stock
- All pipe threads are National Pipe Taper (NPT) ANSI B2.1 (1968) as standard
- Working pressures are calculated in accordance with Power Piping Code ANSI B31.1 and Refiner Pipe Code ANSI B31.3
10,000psi range available on request
- Sizes range from 1/8" to 1"
- Packaged to ensure maximum cleanliness and all exposed threads are protected to prevent damage during transport

Instrumentation Pipe Fittings

HEXAGON REDUCING UNION

316 STAINLESS STEEL PRECISION INSTRUMENTATION FITTINGS



Part No.
HRU 4.2N

| Product Coding | | | |
|---------------------------|-----------------------------------|-------------|------------------------|
| Female Pipe Size (Inches) | Reduced Female Pipe Size (Inches) | Part Number | Working Pressure (psi) |
| 1/4 | 1/8 | HRU 2.1N | 6,600 |
| 3/8 | 1/4 | HRU 3.2N | 5,300 |
| 1/2 | 1/8 | HRU 4.1N | 4,900 |
| 1/2 | 1/4 | HRU 4.2N | 4,900 |
| 1/2 | 3/8 | HRU 4.3N | 4,900 |
| 3/4 | 1/4 | HRU 6.2N | 3,700 |
| 3/4 | 1/2 | HRU 6.4N | 3,700 |
| 1 | 1/4 | HRU 8.2N | 4,400 |
| 1 | 1/2 | HRU 8.4N | 4,400 |
| 1 | 3/4 | HRU 8.6N | 4,400 |

Other materials available:

Duplex F51
 Super Duplex F55/F53
 UNS31254 6MO
 Alloy 825
 Alloy 625
 Alloy 400
 Alloy C276
 Aluminium Bronze NES833

Features

- Precision machined from quality European 316 Stainless Steel bar stock
- All pipe threads are National Pipe Taper (NPT) ANSI B2.1 (1968) as standard
- Working pressures are calculated in accordance with Power Piping Code ANSI B31.1 and Refiner Pipe Code ANSI B31.3
10,000psi range available on request
- Sizes range from 1/8" to 1"
- Packaged to ensure maximum cleanliness and all exposed threads are protected to prevent damage during transport

Instrumentation Pipe Fittings

EQUAL MALE ELBOW

316 STAINLESS STEEL PRECISION INSTRUMENTATION FITTINGS



Part No.
EME 4N

Product Coding

| Male Pipe Size (Inches) | Part Number | Working Pressure (psi) |
|-------------------------|-------------|------------------------|
| 1/8 | EME 1N | 9,000 |
| 1/4 | EME 2N | 7,000 |
| 3/8 | EME 3N | 6,900 |
| 1/2 | EME 4N | 5,700 |
| 3/4 | EME 6N | 5,000 |

Other materials available:

Duplex F51
Super Duplex F55/F53
UNS31254 6MO
Alloy 825
Alloy 625
Alloy 400
Alloy C276
Aluminium Bronze NES833

Features

- Precision machined from quality European 316 Stainless Steel close grain forgings
- All pipe threads are National Pipe Taper (NPT) ANSI B2.1 (1968) as standard
- Working pressures are calculated in accordance with Power Piping Code ANSI B31.1 and Refiner Pipe Code ANSI B31.3
10,000psi range available on request
- Sizes range from 1/8" to 3/4"
- Packaged to ensure maximum cleanliness and all exposed threads are protected to prevent damage during transport

Instrumentation Pipe Fittings

FEMALE ELBOW

316 STAINLESS STEEL PRECISION INSTRUMENTATION FITTINGS



Part No.
FE 4N

Product Coding

| Female Pipe Size (Inches) | Part Number | Working Pressure (psi) |
|---------------------------|-------------|------------------------|
| 1/8 | FE 1N | 5,000 |
| 1/4 | FE 2N | 5,600 |
| 3/8 | FE 3N | 4,500 |
| 1/2 | FE 4N | 4,100 |
| 3/4 | FE 6N | 3,000 |

Other materials available:

Duplex F51
Super Duplex F55/F53
UNS31254 6MO
Alloy 825
Alloy 625
Alloy 400
Alloy C276
Aluminium Bronze NES833

Features

- Precision machined from quality European 316 Stainless Steel close grain forgings
- All pipe threads are National Pipe Taper (NPT) ANSI B2.1 (1968) as standard
- Working pressures are calculated in accordance with Power Piping Code ANSI B31.1 and Refiner Pipe Code ANSI B31.3
10,000psi range available on request
- Sizes range from 1/8" to 3/4"
- Packaged to ensure maximum cleanliness and all exposed threads are protected to prevent damage during transport

Instrumentation Pipe Fittings

STREET ELBOW

316 STAINLESS STEEL PRECISION INSTRUMENTATION FITTINGS



Part No.
SE 4N

| Product Coding | | | |
|-------------------------|---------------------------|-------------|------------------------|
| Male Pipe Size (Inches) | Female Pipe Size (Inches) | Part Number | Working Pressure (psi) |
| 1/8 | 1/8 | SE 1N | 5,500 |
| 1/4 | 1/8 | SE 2.1N | 5,600 |
| 1/4 | 1/4 | SE 2N | 5,600 |
| 3/8 | 3/8 | SE 3N | 5,000 |
| 1/2 | 1/2 | SE 4N | 4,500 |
| 3/4 | 3/4 | SE 6N | 3,500 |

Other materials available:

Duplex F51
Super Duplex F55/F53
UNS31254 6MO
Alloy 825
Alloy 625
Alloy 400
Alloy C276
Aluminium Bronze NES833

Features

- Precision machined from quality European 316 Stainless Steel close grain forgings
- All pipe threads are National Pipe Taper (NPT) ANSI B2.1 (1968) as standard
- Working pressures are calculated in accordance with Power Piping Code ANSI B31.1 and Refiner Pipe Code ANSI B31.3
10,000psi range available on request
- Sizes range from 1/8" to 3/4"
- Packaged to ensure maximum cleanliness and all exposed threads are protected to prevent damage during transport

Instrumentation Pipe Fittings

EQUAL MALE TEE

316 STAINLESS STEEL PRECISION INSTRUMENTATION FITTINGS



Part No.
EMT 4N

Product Coding

| Male Pipe Size (Inches) | Part Number | Working Pressure (psi) |
|-------------------------|-------------|------------------------|
| 1/8 | EMT 1N | 9,100 |
| 1/4 | EMT 2N | 7,500 |
| 3/8 | EMT 3N | 7,200 |
| 1/2 | EMT 4N | 5,800 |
| 3/4 | EMT 6N | 4,500 |

Other materials available:

Duplex F51
Super Duplex F55/F53
UNS31254 6MO
Alloy 825
Alloy 625
Alloy 400
Alloy C276
Aluminium Bronze NES833

Features

- Precision machined from quality European 316 Stainless Steel close grain forgings
- All pipe threads are National Pipe Taper (NPT) ANSI B2.1 (1968) as standard
- Working pressures are calculated in accordance with Power Piping Code ANSI B31.1 and Refiner Pipe Code ANSI B31.3
10,000psi range available on request
- Sizes range from 1/8" to 3/4"
- Packaged to ensure maximum cleanliness and all exposed threads are protected to prevent damage during transport

Instrumentation Pipe Fittings

FEMALE EQUAL TEE

316 STAINLESS STEEL PRECISION INSTRUMENTATION FITTINGS



| Product Coding | | |
|---------------------------|-------------|------------------------|
| Female Pipe Size (Inches) | Part Number | Working Pressure (psi) |
| 1/8 | FET 1N | 5,000 |
| 1/4 | FET 2N | 5,600 |
| 3/8 | FET 3N | 4,500 |
| 1/2 | FET 4N | 4,100 |
| 3/4 | FET 6N | 3,000 |

Other materials available:

Duplex F51
Super Duplex F55/F53
UNS31254 6MO
Alloy 825
Alloy 625
Alloy 400
Alloy C276
Aluminium Bronze NES833

Features

- Precision machined from quality European 316 Stainless Steel close grain forgings
- All pipe threads are National Pipe Taper (NPT) ANSI B2.1 (1968) as standard
- Working pressures are calculated in accordance with Power Piping Code ANSI B31.1 and Refiner Pipe Code ANSI B31.3
10,000psi range available on request
- Sizes range from 1/8" to 3/4"
- Packaged to ensure maximum cleanliness and all exposed threads are protected to prevent damage during transport

Instrumentation Pipe Fittings

STREET TEE

316 STAINLESS STEEL PRECISION INSTRUMENTATION FITTINGS



Part No.
ST 4N

Product Coding

| Male Pipe Size (Inches) | Female Pipe Size (Inches) | Part Number | Working Pressure (psi) |
|-------------------------|---------------------------|-------------|------------------------|
| 1/8 | 1/8 | ST 1N | 5,500 |
| 1/4 | 1/4 | ST 2N | 5,600 |
| 3/8 | 3/8 | ST 3N | 5,000 |
| 1/2 | 1/2 | ST 4N | 4,500 |
| 3/4 | 3/4 | ST 6N | 4,100 |

Other materials available:

Duplex F51
Super Duplex F55/F53
UNS31254 6MO
Alloy 825
Alloy 625
Alloy 400
Alloy C276
Aluminium Bronze NES833

Features

- Precision machined from quality European 316 Stainless Steel close grain forgings
- All pipe threads are National Pipe Taper (NPT) ANSI B2.1 (1968) as standard
- Working pressures are calculated in accordance with Power Piping Code ANSI B31.1 and Refiner Pipe Code ANSI B31.3
10,000psi range available on request
- Sizes range from 1/8" to 3/4"
- Packaged to ensure maximum cleanliness and all exposed threads are protected to prevent damage during transport

Instrumentation Pipe Fittings

CONVERSION DATA

| Imperial Tube Dimensions | |
|--------------------------|--------|
| INCHES | MM |
| 1/16 | 1.588 |
| 1/8 | 3.175 |
| 3/16 | 4.763 |
| 1/4 | 6.350 |
| 5/16 | 7.938 |
| 3/8 | 9.525 |
| 1/2 | 12.700 |
| 5/8 | 15.875 |
| 3/4 | 19.050 |
| 7/8 | 22.225 |

| SS Pipe Dimensions ANSI B36-10 | |
|-----------------------------------|---------------------------|
| NOMINAL PIPE SIZE | OUTSIDE DIAMETER (INCHES) |
| 1/8 | 0.405 |
| 1/4 | 0.540 |
| 3/8 | 0.675 |
| 1/2 | 0.840 |
| 3/4 | 1.050 |
| 1 | 1.315 |

| mm to Inch Equivalent | | | |
|-----------------------|------|------|------|
| MM | INCH | MM | INCH |
| 1 | .039 | 14 | .551 |
| 2 | .079 | 15 | .590 |
| 3 | .118 | 16 | .630 |
| 4 | .157 | 17 | .669 |
| 5 | .197 | 18 | .709 |
| 6 | .236 | 19 | .748 |
| 7 | .276 | 20 | .787 |
| 8 | .315 | 21 | .827 |
| 9 | .354 | 22 | .866 |
| 10 | .394 | 23 | .905 |
| 11 | .433 | 24 | .944 |
| 12 | .472 | 25 | .984 |
| 13 | .512 | 25.4 | 1.0 |

| Temperature Conversion Table | |
|------------------------------|------|
| °C | °F |
| -200 | -328 |
| -180 | -292 |
| -160 | -256 |
| -140 | -220 |
| -120 | -184 |
| -100 | -148 |
| -80 | -112 |
| -60 | -76 |
| -40 | -40 |
| -20 | -4 |
| 0 | 32 |
| 20 | 68 |
| 40 | 104 |
| 60 | 140 |
| 80 | 176 |
| 100 | 212 |
| 120 | 248 |
| 140 | 284 |
| 160 | 320 |
| 180 | 356 |
| 200 | 392 |
| 220 | 428 |
| 240 | 464 |
| 260 | 500 |
| 280 | 536 |
| 300 | 572 |
| 320 | 608 |
| 340 | 644 |
| 360 | 680 |
| 380 | 716 |
| 400 | 752 |
| 420 | 788 |
| 440 | 824 |
| 460 | 860 |
| 480 | 896 |
| 500 | 932 |
| 520 | 968 |
| 540 | 1044 |
| 560 | 1040 |
| 580 | 1076 |
| 600 | 1112 |
| 620 | 1148 |
| 640 | 1184 |
| 660 | 1220 |
| 680 | 1256 |
| 700 | 1292 |
| 720 | 1328 |
| 740 | 1364 |
| 760 | 1400 |
| 780 | 1436 |
| 800 | 1472 |

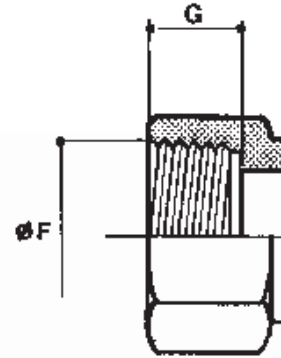
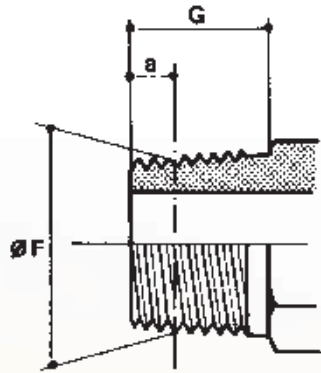
| Decimal Equivalents | |
|---------------------|---------|
| 8ths | Decimal |
| 1/8 | .125 |
| 1/4 | .250 |
| 3/8 | .375 |
| 1/2 | .500 |
| 5/8 | .625 |
| 3/4 | .750 |
| 7/8 | .875 |
| | |
| 16ths | Decimal |
| 1/16 | .0625 |
| 3/16 | .1875 |
| 5/16 | .3125 |
| 7/16 | .4375 |
| 9/16 | .5625 |
| 11/16 | .6875 |
| 13/16 | .8125 |
| 15/16 | .9375 |
| | |
| 32nds | Decimal |
| 1/32 | .03125 |
| 3/32 | .09375 |
| 5/32 | .15625 |
| 7/32 | .21875 |
| 9/32 | .28125 |
| 11/32 | .34375 |
| 13/32 | .40625 |
| 15/32 | .46875 |
| 17/32 | .53125 |
| 19/32 | .59375 |
| 21/32 | .65625 |
| 23/32 | .71875 |
| 25/32 | .78125 |
| 27/32 | .84375 |
| 29/32 | .90625 |
| 31/32 | .96875 |

| Decimal Equivalents | |
|---------------------|---------|
| 64ths | Decimal |
| 1/64 | .015625 |
| 3/64 | .046845 |
| 5/64 | .078125 |
| 7/64 | .109375 |
| 9/64 | .140625 |
| 11/64 | .171875 |
| 13/64 | .203125 |
| 15/64 | .234375 |
| 17/64 | .265625 |
| 19/64 | .296875 |
| 21/64 | .328125 |
| 23/64 | .359375 |
| 25/64 | .390625 |
| 27/64 | .421875 |
| 29/64 | .453125 |
| 31/64 | .484375 |
| 33/64 | .515625 |
| 35/64 | .546875 |
| 37/64 | .578125 |
| 39/64 | .609375 |
| 41/64 | .640625 |
| 43/64 | .671875 |
| 45/64 | .703125 |
| 47/64 | .734375 |
| 49/64 | .765625 |
| 51/64 | .796875 |
| 53/64 | .828125 |
| 55/64 | .859375 |
| 57/64 | .890625 |
| 59/64 | .921875 |
| 61/64 | .953125 |
| 63/64 | .984375 |

Temperature conversion formula:
 °C = 5/9 (°F-32)
 °F = 9/5 °C+32

Instrumentation Pipe Fittings

STANDARD THREAD SIZES

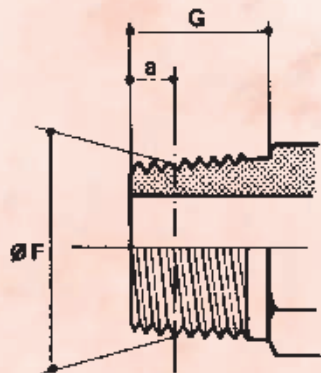


NPT - ANSI B2.1

| INCHES | ØF | THREAD TO INCH | A | G |
|--------|------|----------------|------|------|
| 1/8 | 10.2 | 27 | 4.5 | 9.5 |
| 1/4 | 13.5 | 18 | 5.0 | 14.3 |
| 3/8 | 17.0 | 18 | 6.0 | 14.3 |
| 1/2 | 21.2 | 14 | 8.1 | 19.1 |
| 3/4 | 26.5 | 14 | 8.6 | 19.1 |
| 1 | 33.2 | 11 1/2 | 10.1 | 23.8 |
| 1 1/4 | 41.9 | 11 1/2 | 10.6 | 23.8 |
| 1 1/2 | 48.0 | 11 1/2 | 10.6 | 26.2 |

NPT - ANSI B2.1

| INCHES | ØF | THREAD TO INCH | G |
|--------|------|----------------|------|
| 1/8 | 10.2 | 27 | 9.5 |
| 1/4 | 13.5 | 18 | 14.3 |
| 3/8 | 17.0 | 18 | 14.3 |
| 1/2 | 21.2 | 14 | 19.1 |

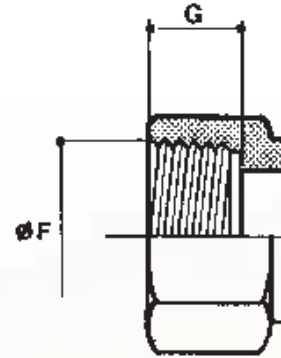
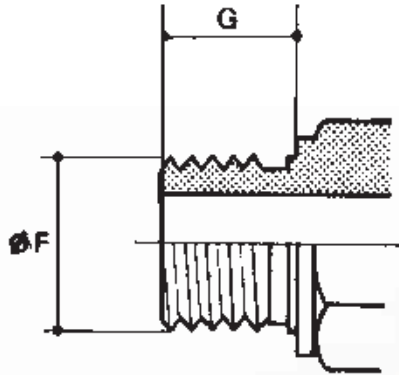


BSP Taper B.S.21 - 1985

| INCHES | MM | ØF | THREAD TO INCH | A | G |
|--------|-------|------|----------------|------|------|
| 1/8 | 5.10 | 9.7 | 28 | 4.0 | 9.5 |
| 1/4 | 8.13 | 13.1 | 19 | 6.0 | 14.3 |
| 3/8 | 12.17 | 16.6 | 19 | 6.4 | 14.3 |
| 1/2 | 15.21 | 20.9 | 14 | 8.2 | 19.1 |
| 3/4 | 21.27 | 26.4 | 14 | 9.5 | 19.1 |
| 1 | 26.34 | 33.2 | 11 | 10.4 | 23.8 |
| 1 1/4 | 33.42 | 41.9 | 11 | 12.7 | 23.8 |
| 1 1/2 | 40.49 | 47.8 | 11 | 12.7 | 26.2 |
| 2 | 59.60 | 59.6 | 11 | 15.9 | 27.0 |

Instrumentation Pipe Fittings

STANDARD THREAD SIZES

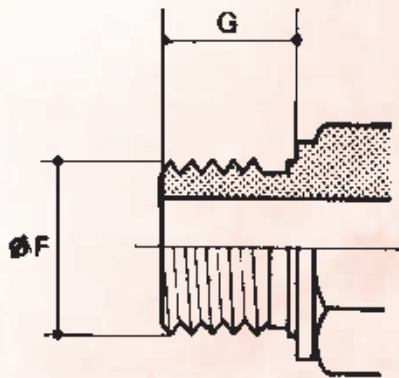


BSP Parallel B.S.2779 - 1973

| INCHES | MM | ØF | THREAD TO INCH | G |
|--------|-------|------|----------------|----|
| 1/8 | 5.10 | 9.7 | 28 | 8 |
| 1/4 | 8.13 | 13.1 | 19 | 10 |
| 3/8 | 12.17 | 16.6 | 19 | 10 |
| 1/2 | 15.21 | 20.9 | 14 | 12 |
| 3/4 | 21.17 | 26.4 | 14 | 16 |
| 1 | 26.34 | 33.2 | 11 | 16 |
| 1 1/4 | 33.42 | 41.9 | 11 | 18 |
| 1 1/2 | 40.49 | 47.8 | 11 | 18 |
| 2 | 50.60 | 59.6 | 11 | 20 |

BSP Parallel B.S.2779 - 1973

| INCHES | MM | ØF | THREAD TO INCH | G |
|--------|-------|------|----------------|------|
| 1/8 | 5.10 | 9.7 | 28 | 8.0 |
| 1/4 | 8.13 | 13.1 | 19 | 11.0 |
| 3/8 | 12.17 | 16.6 | 19 | 11.4 |
| 1/2 | 15.21 | 20.9 | 14 | 15.0 |
| 3/4 | 21.27 | 26.4 | 14 | 16.3 |
| 1 | 26.34 | 33.2 | 11 | 19.1 |
| 1 1/4 | 33.42 | 41.9 | 11 | 21.4 |
| 1 1/2 | 40.49 | 47.8 | 11 | 21.4 |



ISO Metric

| ØF | G | ØF | G |
|----------|----|----------|----|
| 8 x 100 | 8 | 24 x 150 | 14 |
| 10 x 100 | 8 | 26 x 150 | 16 |
| 12 x 100 | 8 | 27 x 150 | 16 |
| 12 x 125 | 8 | 30 x 200 | 16 |
| 12 x 150 | 10 | 33 x 150 | 16 |
| 14 x 125 | 10 | 33 x 200 | 16 |
| 14 x 150 | 10 | 39 x 200 | 18 |
| 16 x 150 | 10 | 42 x 200 | 18 |
| 18 x 150 | 12 | 45 x 200 | 18 |
| 20 x 150 | 12 | 48 x 200 | 18 |



Contact Us

Tel: +44(0)191 549 7335

Email: hos@hos.co.uk

Web: www.hos.co.uk

